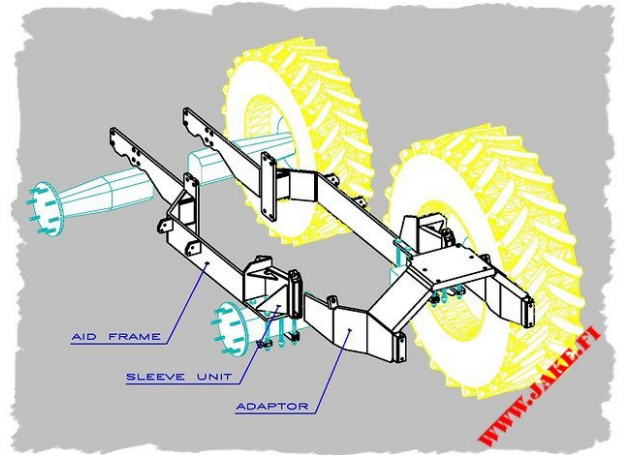




# JAKE Mounting kit

**JAKE** Mounting Kit provides an effective and quick possibility to mount a crane or a digger on tractors of different brands and models. The connection between the tractor and the crane or the digger is fixed but releasing the tractor to another work is still easy and fast.

The **JAKE** Mounting Kit comprises *sleeve units* bolted on the upper side of a rear axle and *an aid frame* strengthening a tractor frame. There is *an adaptor* intended for mounting different cranes and diggers. The set includes all necessary bolts and parts so that a customer can install the **JAKE** Mounting Kit to his himself.



A **JAKE** solution for cranes with 3-point fastening is a **JAKE 350** Mounting Kit, a **JAKE 600**, **JAKE 800**, **JAKE 800 Tilt** are for cranes with flange fastening, a **JAKE 800 HD** is for truck mounted cranes. A **DiggerJAKE** suits for all diggers with 3-point fastening.

Additionally we produce **JAKE** Support Legs, **JAKE** Armour Plates, **JAKE** Boom Supports and **JAKE** Axle stabilizers.



\* Uusimäen Konepaja Ky \* PL 20 \* FI-62601 LAPPAJÄRVI \*

\* tel. +358 40 566 4018 \* [www.jake.fi](http://www.jake.fi) \* [info@jake.fi](mailto:info@jake.fi) \*