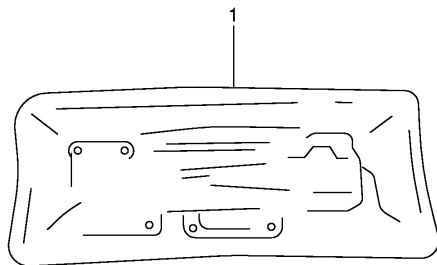
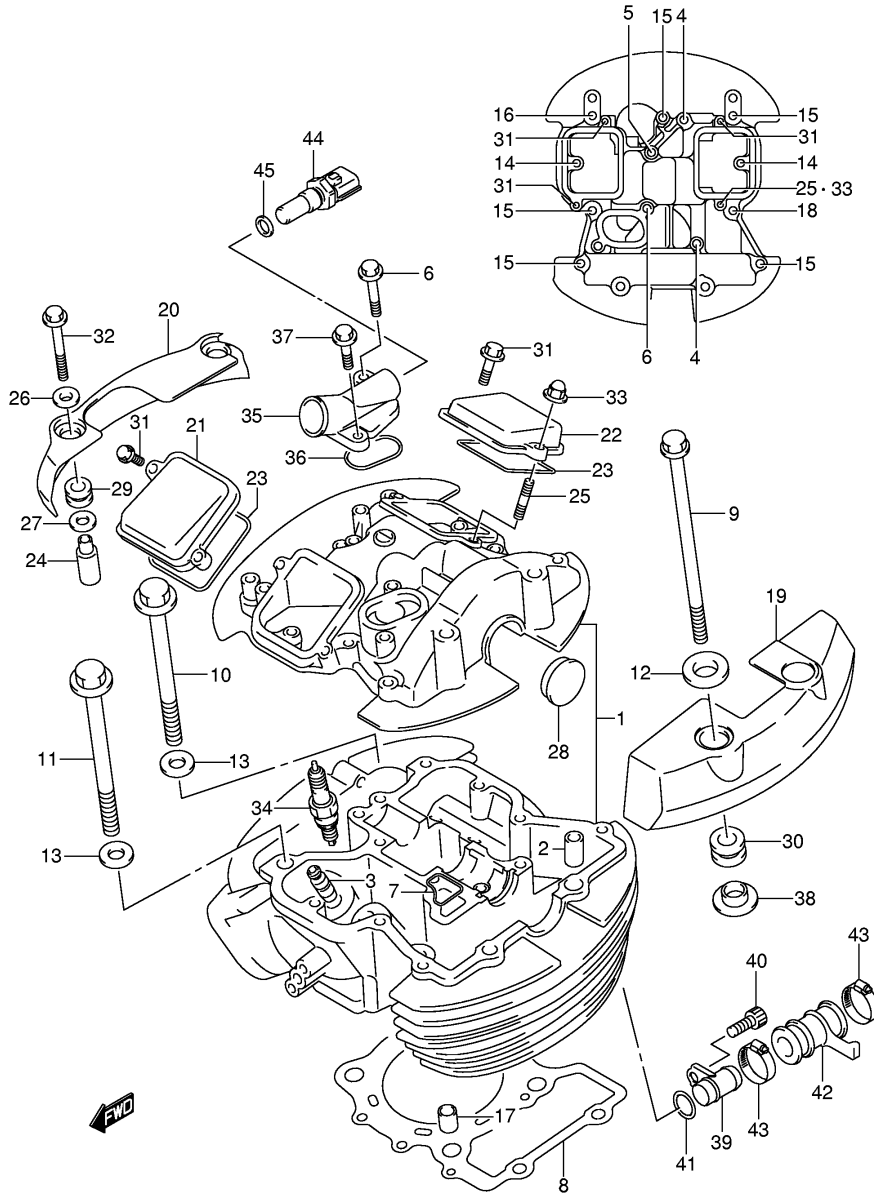


FIG.1



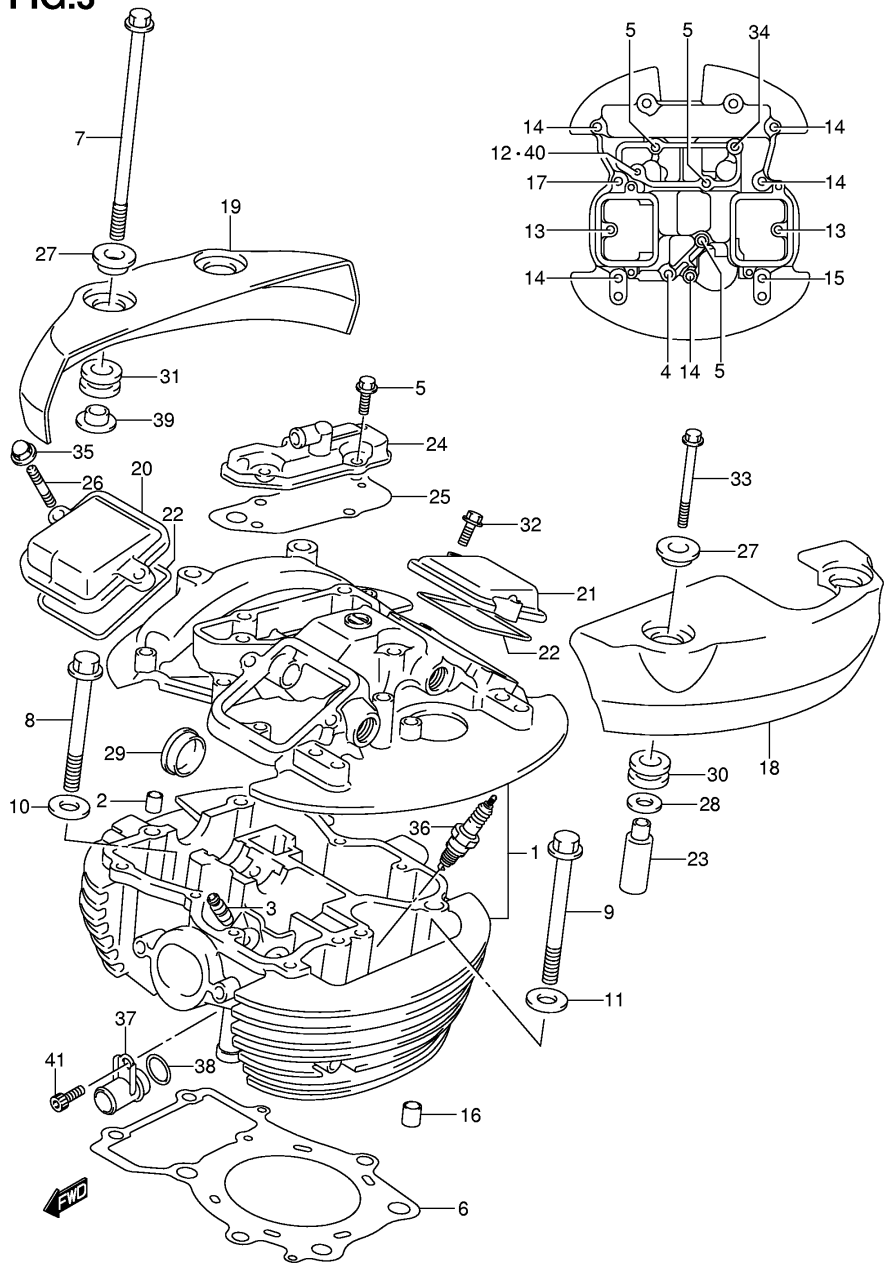
Ref No	Part No	Description
1	11402-41820	Gasket Set
2	11123-38A00	• Gasket, Head Cover
3	11141-41F00	• Gasket, Cylinder Head Front
4	11142-41F00	• Gasket, Cylinder Head Rear
5	11177-38A00	• Gasket, Inspection Cap
6	11187-41F20	• Gasket, Breather Cover
7	11241-41F00	• Gasket, Cylinder
8	11482-41F00	• Gasket, Clutch Cover
9	11483-41F00	• Gasket, Generator Cover
10	14181-10F00	• Gasket, Exhaust Pipe
11	16528-38A00	• O Ring, Oil Strainer Cap
12	09168-06023	• Gasket (5.8x13x1.2)
13	09168-08029	• Gasket (8.2x14x1)
14	09168-10002	• Gasket (10x14x3.6)
15	09168-14002	• Gasket, (13.8x18.8)
16	09168-16002	• Gasket (16x22x2)
17	09280-04004	• O Ring (d:1.2,id:4.0)

FIG.2



Ref No	Part No	Description
1	11101-41FB0	Head Assy, Cylinder Front
2	09206-11004	• Pin (11x14)
3	11115-38A71	Guide, Valve (os 0.3)
4	09103-06101	Bolt (6x50)
5	09103-06102	Bolt (6x55)
6	07130-0680B	Bolt (6x80)
7	11123-38A00	Gasket, Cylinder Head Cover
8	11141-41F00	Gasket, Cylinder Head Front
9	09103-08370	Bolt (l:250)
10	09103-10133	Bolt (10x155)
11	09103-10134	Bolt (10x165)
12	09160-08130	Washer (8.5x24x1.6)
13	09160-10039	Washer (10.5x22x2.3)
14	01550-0625B	Bolt (l:25)
15	01550-0630B	Bolt (l:30)
16	01550-0640B	Bolt (l:40)
17	04211-13189	Knock Pin
18	07120-0630B	Bolt (l:30)
19	11171-41FA0	Cap, Cylinder Head Cover Fl
20	11172-41F00	Cap, Cylinder Head Cover Fr
21	11175-38A11	Cap, Inspection Intake
22	11176-38A11	Cap, Inspection Exhaust
23	11177-38A00	Gasket, Inspection Cap
24	11179-10F10	Spacer, Head Cover Cap
25	09108-06102	Bolt, Inspection Cap Stud
26	09160-06084	Washer, Head Cover Cap Upper
27	09160-09016	Washer, Head Cover Cap Lower
28	09241-30004	Plug, Cylinder Head
29	09320-09016	Cushion, Head Cover Cap
30	09320-13015	Cushion, Head Cover Bolt
31	01547-0620B	Bolt, Inspection Cap
32	01547-06507	Bolt, Head Cover Cap
33	09159-06093	Nut, Inspection Cap
34	09482-00354	Spark Plug, Dpr7ea-9 (ngk)
34	09482-00330	Spark Plug, Dpr9ea-9 (ngk)
34	09482-00331	Spark Plug, X27epu-u9 (nd)
34	09482-00334	Spark Plug, Dpr8ea-9 (ngk)
34	09482-00335	Spark Plug, X24epu-u9 (nd)
35	11181-41F00	Union, Cylinder Head Outlet
36	11182-38A00	O Ring, Outlet Union
37	07130-0620B	Bolt
38	09301-08007	Bush, Head Cover Bolt
39	17891-41F10	Union, Cylinder Head Joint
40	07130-0612B	Bolt, Joint Union
41	09280-16005	O Ring
42	17854-41F01	Hose, Head Joint
43	09402-28511	Clamp, Joint
44	13650-57F00	Sensor, Water Temp
45	09168-12017	Gasket

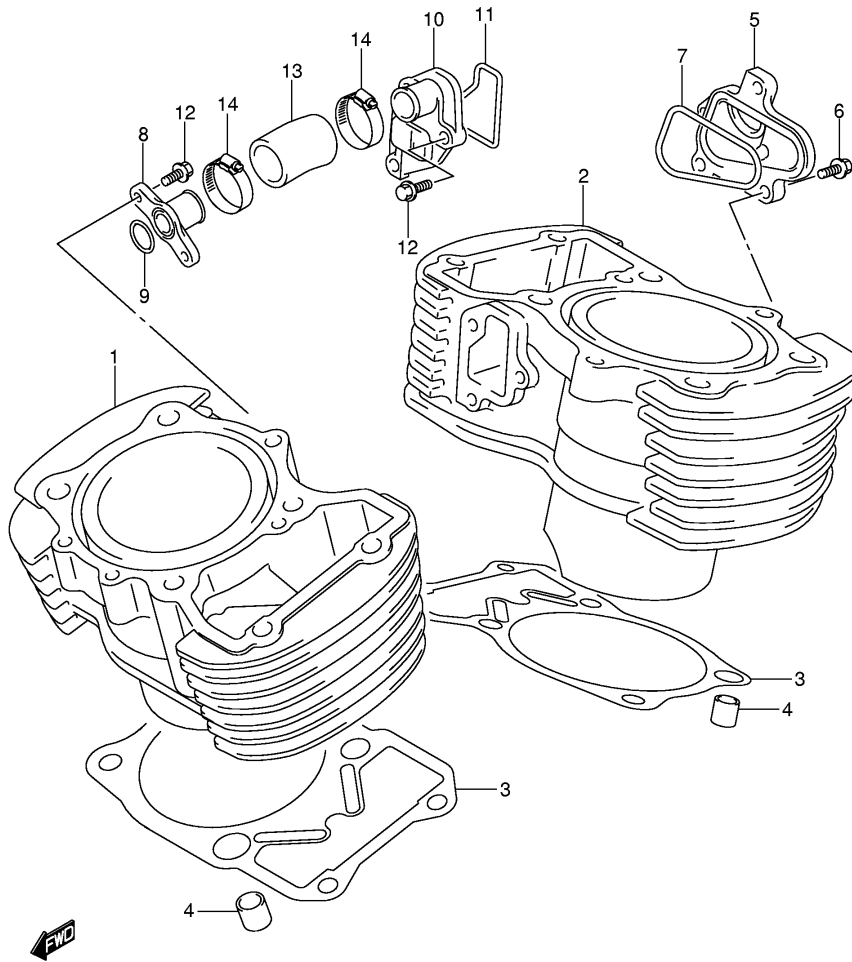
FIG.3



Ref No	Part No	Description
1	11103-41FB0	Head Assy, Cylinder Rear
2	09206-11004	• Pin (11x14)
3	11115-38A71	Guide, Valve (os 0.3)
4	09103-06101	Bolt (6x50)
5	09103-06102	Bolt (6x55)
6	11142-41F00	Gasket, Cylinder Head Rear
7	09103-08370	Bolt (l:250)
8	09103-10133	Bolt (10x155)
9	09103-10134	Bolt (10x165)
10	09160-08130	Washer (8.5x24x1.6)
11	09160-10039	Washer (10.5x22x2.3)
12	09103-06102	Bolt, 6x55
13	01550-0625B	Bolt (l:25)
14	01550-0630B	Bolt (l:30)
15	01550-0640B	Bolt (l:40)
16	04211-13189	Knock Pin
17	07120-0630B	Bolt (l:30)
18	11173-41FA0	Cap, Cylinder Head Cover Rr
19	11174-41F00	Cap, Cylinder Head Cover Rr
20	11175-38A11	Cap, Inspection Intake
21	11176-38A11	Cap, Inspection Exhaust
22	11177-38A00	Gasket, Inspection Cap
23	11179-10F10	Spacer, Head Cover Cap
24	11186-41FB0	Cover, Breather
25	11187-41F20	Gasket, Breather Cover
26	09108-06102	Bolt, Inspection Cap Stud
27	09160-06084	Washer, Head Cover Cap Upper
28	09160-09016	Washer, Head Cover Cap Lower
29	09241-30004	Plug, Cylinder Head
30	09320-09016	Cushion, Head Cover Cap
31	09320-13015	Cushion, Head Cover Bolt
32	01547-0620B	Bolt, Inspection Cap
33	01547-06507	Bolt, Head Cover Cap
34	01550-0620B	Bolt, Breather Cover
35	09159-06093	Nut, Inspection Cap
36	09482-00354	Spark Plug, Dpr7ea-9 (ngk)
36	09482-00330	Spark Plug, Dpr9ea-9 (ngk)
36	09482-00331	Spark Plug, X27epr-u9 (nd)
36	09482-00334	Spark Plug, Dpr8ea-9 (ngk)
36	09482-00335	Spark Plug, X24epr-u9 (nd)
37	17891-41F10	Union, Cylinder Head Joint
38	09280-16005	O Ring
39	09301-08007	Bush, Head Cover Bolt
40	09168-06023	Gasket, 5.8x13x1.2
41	07130-0612B	Bolt, Joint Union

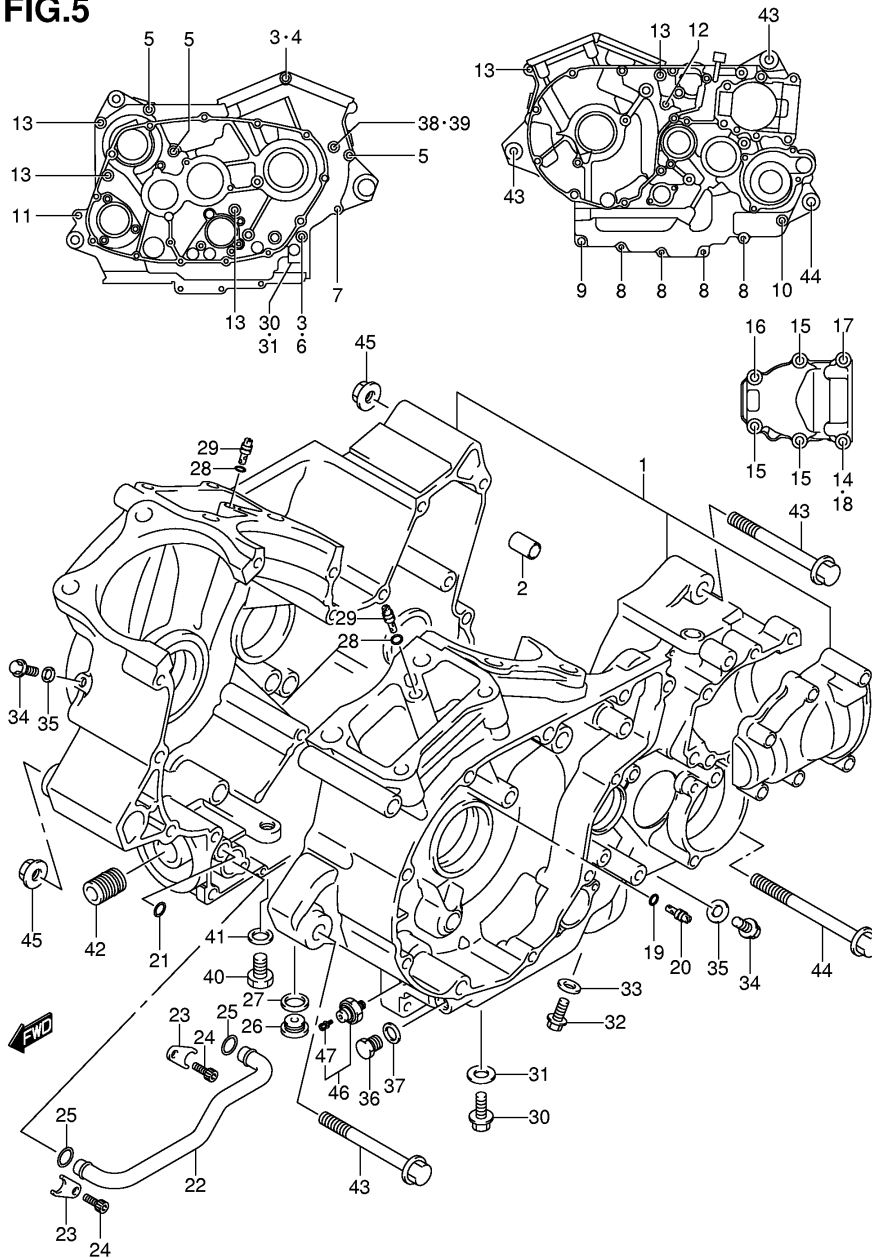
VZ800K5 E03 E28_003
 REAR CYLINDER HEAD

FIG.4



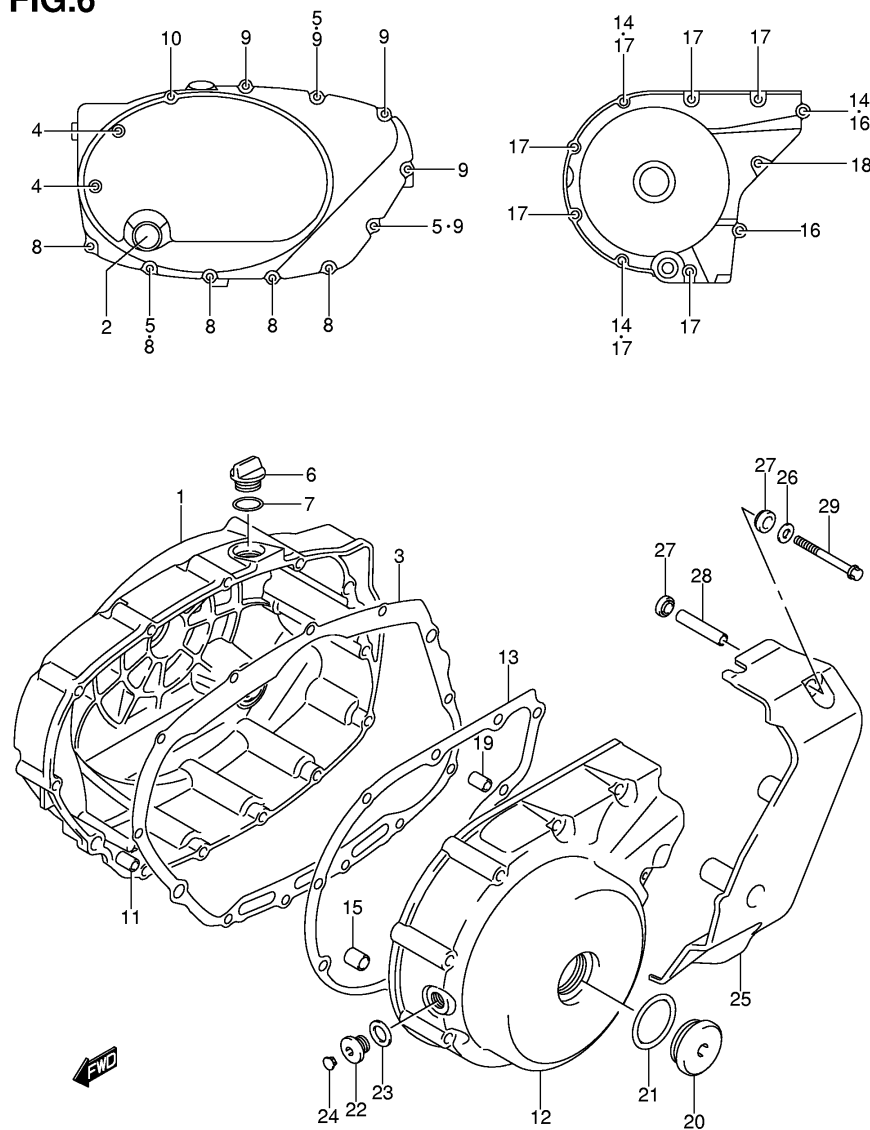
Ref No	Part No	Description
1	11210-41F00-0F0	Cylinder, Front
2	11220-41F00-0F0	Cylinder, Rear
3	11241-41F00	Gasket, Cylinder
4	04211-13189	Knock Pin
5	11237-41F00	Connector, Water Inlet
6	01547-0620B	Bolt
7	11247-38A00	O Ring
8	11235-41F00	Union, Water Inlet
9	09280-16005	O Ring
10	17892-41F00	Union, Outlet
11	17899-41F00	O Ring
12	01547-0616B	Bolt
13	17851-01A00	Hose, Cylinder Joint
14	09402-28511	Clamp

FIG.5



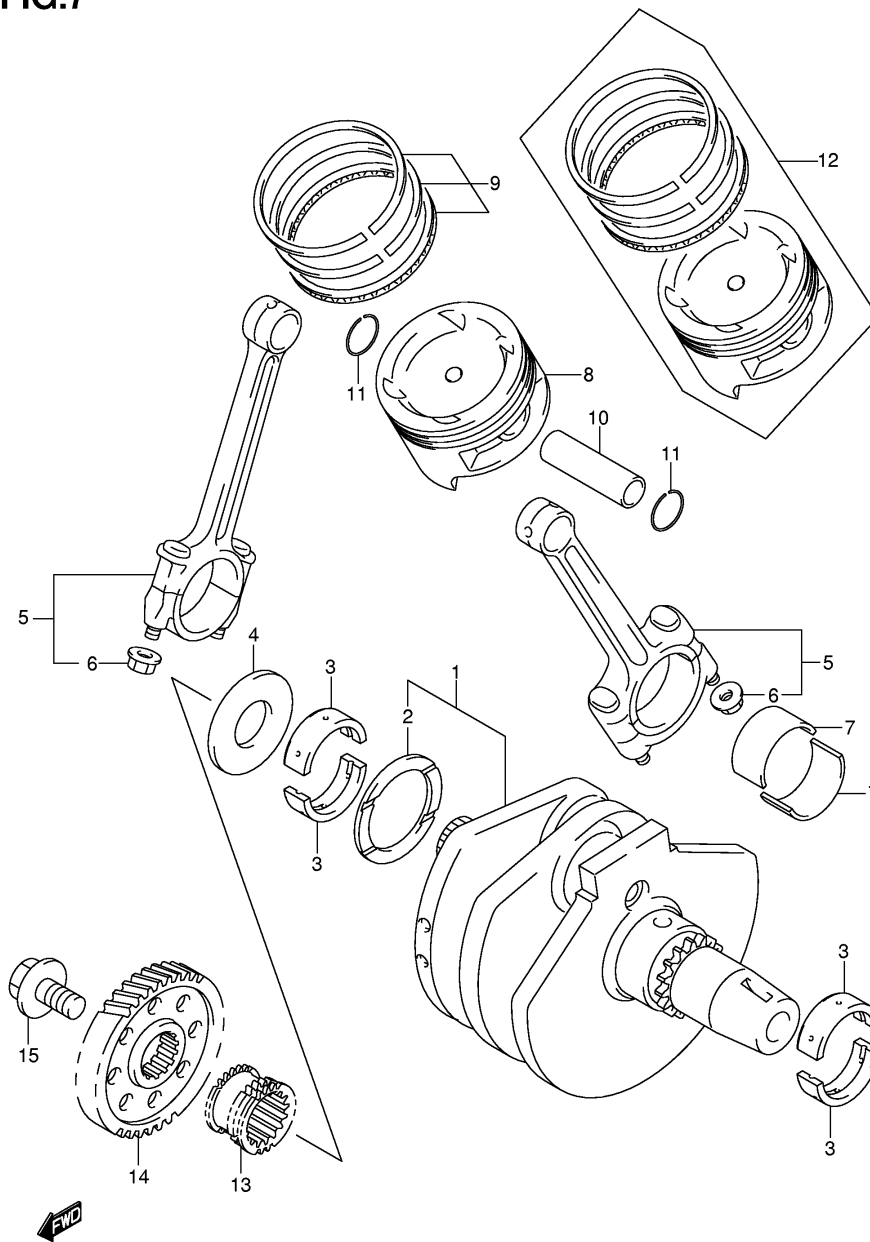
Ref No	Part No	Description
1	11302-39812	Crankcase Set
2	09206-11007	• Pin
3	09168-08029	• Gasket, 8.2x16x1
4	09103-08405	• Bolt (l:160)
5	09103-08406	• Bolt (l:120)
6	09103-08179	• Bolt (l:105)
7	09103-08164	• Bolt (l:95)
8	01550-0640B	• Bolt
9	01550-0835B	• Bolt
10	01550-0855B	• Bolt
11	01550-0860B	• Bolt
12	01550-0875B	• Bolt
13	09103-08105	• Bolt (l:95)
14	09168-08029	• Gasket, 8.2x16x1
15	01550-0840B	• Bolt
16	01550-0850B	• Bolt
17	01550-0855B	• Bolt
18	01550-0865B	• Bolt
19	09280-04004	O Ring (d:1.2,id:4.0)
20	09493-20014	Jet, Oil Gallery
21	09280-12009	O Ring (d:1.9,id:12.6)
22	11451-38A00	Pipe, Oil Gallery
23	11461-38A00	Clamp, Oil Pipe
24	09106-06075	Bolt (6x12)
25	09280-15008	O Ring (d:3.1,id:14.8)
26	09168-16002	Gasket, 16x22x2
27	09248-16013	Plug (16x12)
28	09280-04004	O Ring (d:1.2,id:4.0)
29	09493-28010	Jet, Oil Gallery
30	09103-08407	Plug (8x12)
31	09168-08016	Gasket (8.2x14x1)
32	09247-10008	Plug (10x12)
33	09168-10002	Gasket, Oil Gallery
34	01550-0610B	Plug, Oil Gallery
35	09168-06023	Gasket, Oil Gallery
36	09247-14026	Plug (14x12)
37	09168-14002	Gasket, Oil Gallery
38	09103-08407	Plug (8x12)
39	09168-08016	Gasket (8.2x14x1)
40	09247-12106	Plug, Oil Drain
41	09168-12002	Gasket (12.1x16.2x3.7)
42	16591-06B00	Union
43	09103-10142	Bolt (l:135)
44	09103-10278	Bolt (l:160)
45	09159-10113	Nut
46	37820-33D10	Switch Assy, Oil Pressure
47	37822-33D00	• Bolt, Oil Press Sw

FIG.6



Ref No	Part No	Description
1	11340-39G00	Cover, Clutch
2	11971-33210	• . Lens, Oil Level
3	11482-41F00	Gasket, Clutch Cover
4	09103-06270	Bolt (l:105)
5	09168-06023	Gasket
6	11971-25D00	Plug, Oil Filler
7	09280-17003	O Ring
8	09103-06213	Bolt (l:30)
9	09103-06238	Bolt (l:50)
10	09103-06226	Bolt (l:85)
11	04211-09189	Pin
12	11351-39G00	Cover, Generator
13	11483-41F00	Gasket, Generator Cover
14	09168-06023	Gasket, Generator Cover Bolt
15	09206-11007	Pin (11x20)
16	09103-06215	Bolt (l:40)
17	09103-06216	Bolt (l:55)
18	09103-06226	Bolt (l:85)
19	04211-09189	Pin
20	09259-36008	Plug, Crankshaft Hole
21	09280-33004	O Ring
22	09248-14005	Plug, T.d.c
23	09168-14002	Gasket (13.8x18.8x0.4)
24	09250-08012	Cap, T.d.c.plug
25	11361-39G00	Cover, Secondary Drive
26	09160-06125	Washer
27	09161-09005	Cushion
28	09180-06280	Spacer
29	09103-06216	Bolt (l:55)

FIG.7

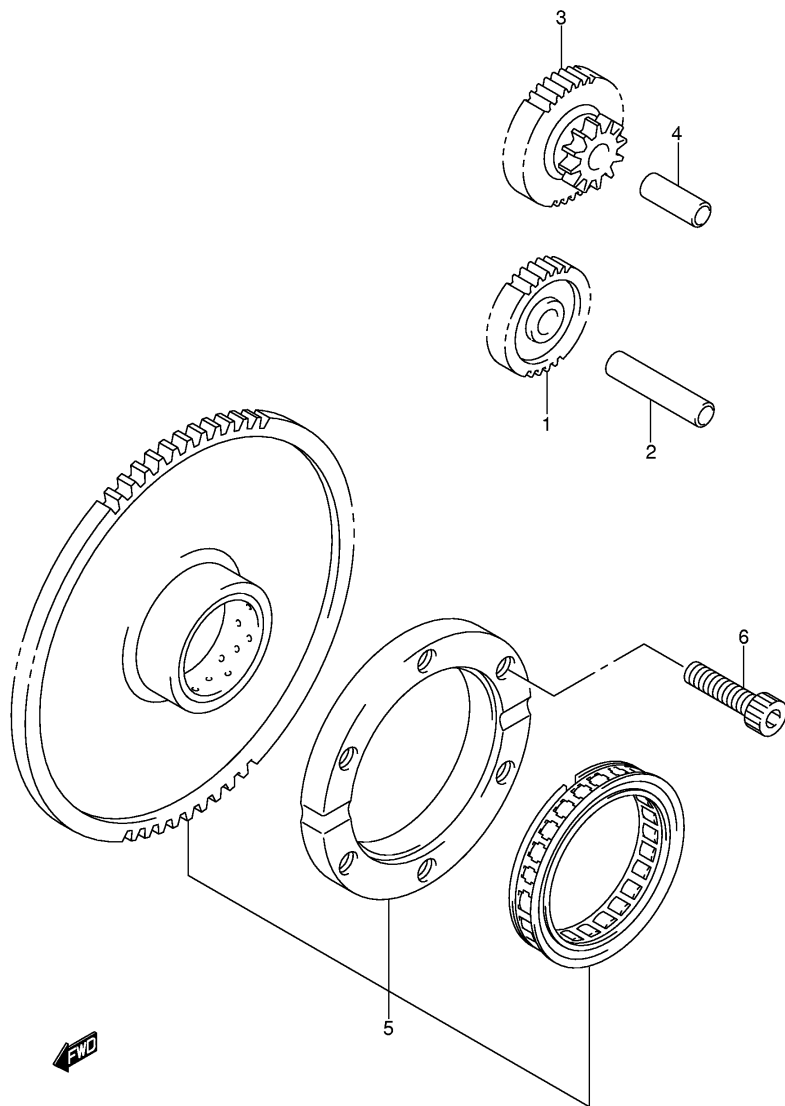


Ref No	Part No	Description
1	12000-41810	Crankshaft Set
2	09160-48001	• . Washer, Crank Thrust (t:1.94)
2	09160-48002	• . Washer, Crank Thrust (t:1.96)
2	09160-48003	• . Washer, Crank Thrust (t:1.99)
2	09160-48004	• . Washer, Crank Thrust (t:2.01)
2	09160-48005	• . Washer, Crank Thrust (t:2.04)
2	09160-48006	• . Washer, Crank Thrust (t:2.06)
2	09160-48007	• . Washer, Crank Thrust (t:2.09)
2	09160-48008	• . Washer, Crank Thrust (t:2.11)
2	09160-48009	• . Washer, Crank Thrust (t:2.14)
2	09160-48010	• . Washer, Crank Thrust (t:2.16)
3	12229-39G00-0A0	Bearing, Crankshaft (green)
3	12229-39G00-0B0	Bearing, Crankshaft (black)
3	12229-39G00-0C0	Bearing, Crankshaft (brown)
4	12652-38A00	Washer, Crank Thrust
5	12160-45C10	Rod Assy, Connecting
6	09159-09001	• . Nut
7	12164-38E00-0A0	Bearing, Crank Pin (green)
7	12164-38E00-0B0	Bearing, Crank Pin (black)
7	12164-38E00-0C0	Bearing, Crank Pin (brown)
7	12164-38E00-0D0	Bearing, Crank Pin (yellow)
7	12164-38E00-0E0	Bearing, Crank Pin (blue)
8	12111-41F00-0F0	Piston
9	12140-41F00	Ring Set, Piston
10	12151-24A00	Pin, Piston
11	09381-20004	Circlip
12	12100-41F00-050	Piston Set (os:0.5)
13	12731-38A00	Sprocket, Cam Chain Drive Rh
14	21111-38A00	Gear, Primary Drive
15	09103-12013	Bolt (12x28)

VZ800K5 E03 E28_007
 CRANKSHAFT

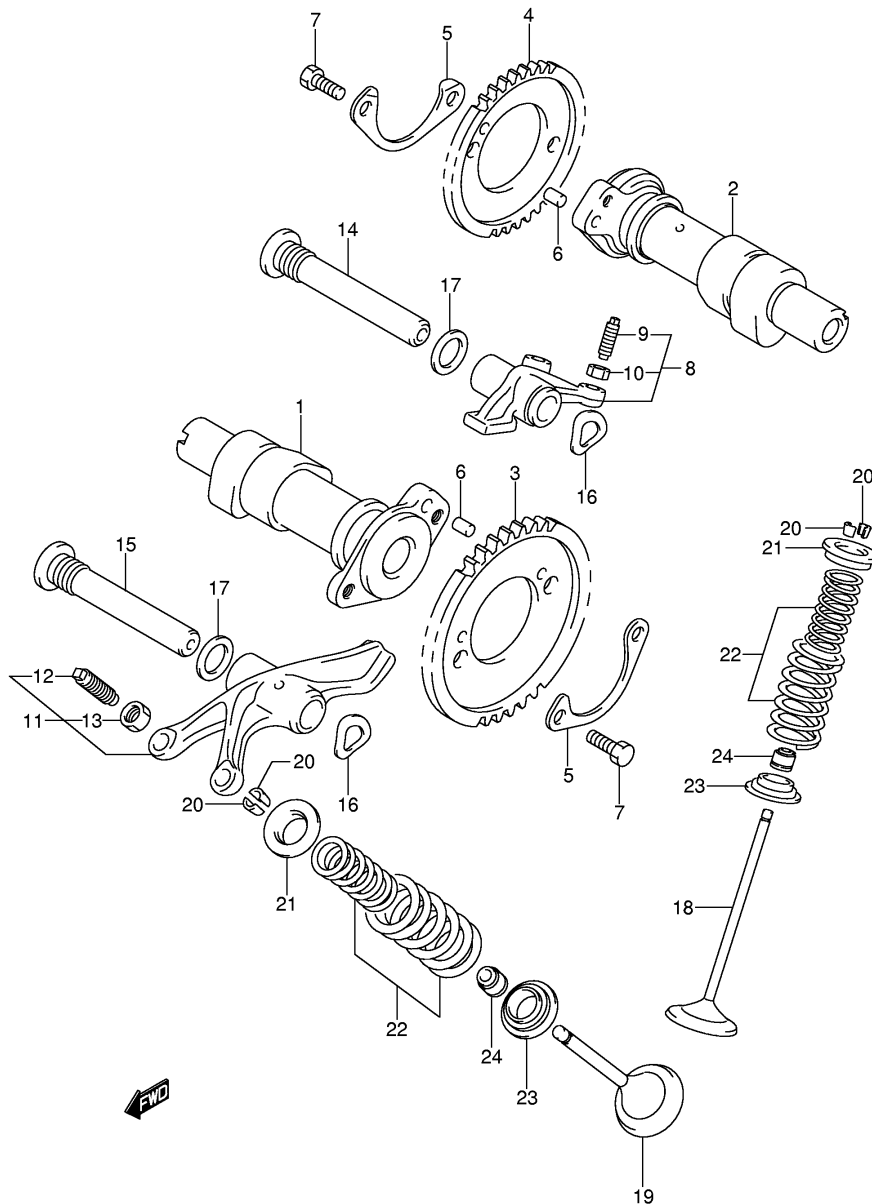
STARTER CLUTCH

FIG.8



Ref No	Part No	Description
1	12611-38A01	Gear, Starter Idle No.1
2	09202-10008	Pin (10x43)
3	12611-38A11	Gear, Starter Idle No.2
4	09202-10006	Pin (10x27)
5	12600-41851	Clutch Set, Starter
6	09106-08105	Bolt (8x16)

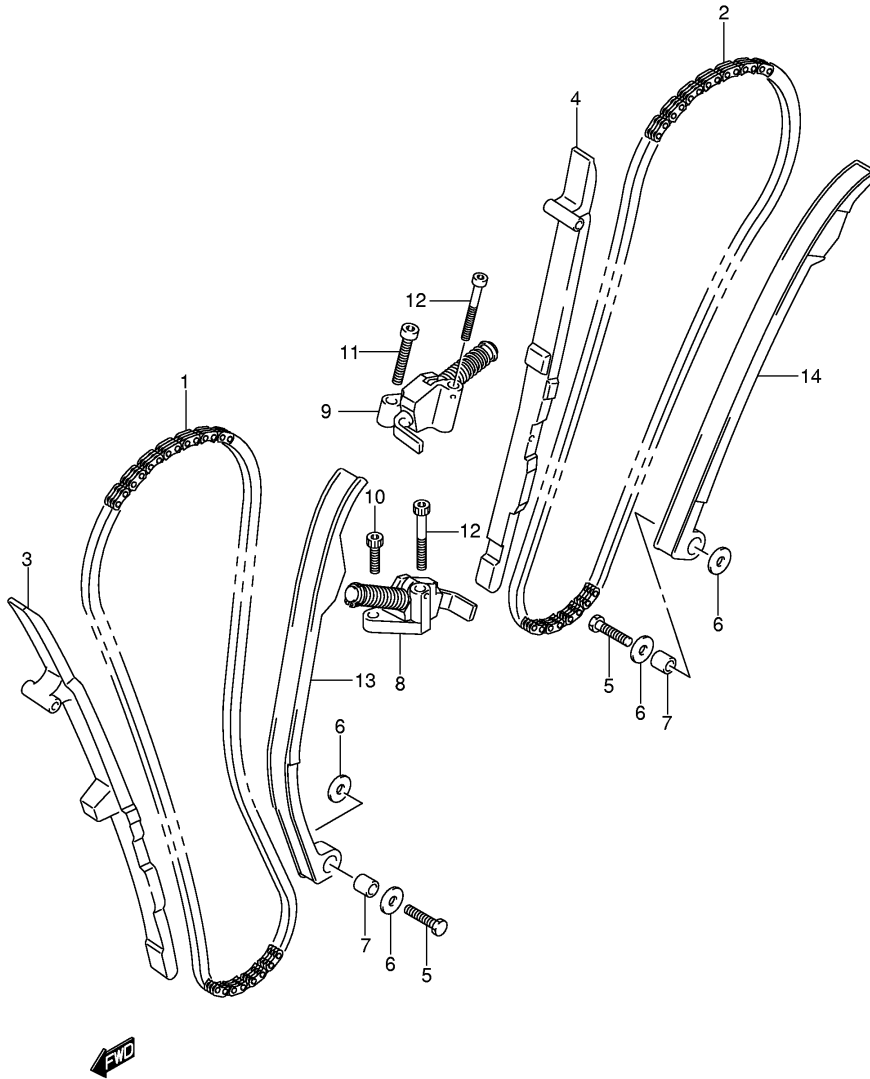
FIG.9



Ref No	Part No	Description
1	12711-41F00	Camshaft, Front
2	12713-41F00	Camshaft, Rear
3	12741-41F00	Sprocket, Camshaft Front
4	12741-37400	Sprocket, Camshaft Rear
5	12747-44001	Washer
6	04221-05109	Pin
7	09111-06027	Bolt (6x12.5)
8	12840-38A10	Arm, Valve Rocker Intake
9	12842-38A00	• . Screw
10	12843-32400	• . Nut
11	12850-38A10	Arm, Valve Rocker Exhaust
12	12842-38A00	• . Screw
13	12843-32400	• . Nut
14	12861-39G00	Shaft, Valve Rocker Arm Intake
15	12871-39G00	Shaft, Valve Rocker Arm Exhaust
16	09164-12018	Washer
17	09168-14002	Gasket (13.8x18.8x0.4)
18	12911-38A03	Valve, Intake
19	12912-38A03	Valve, Exhaust
20	12932-24400	Cotter, Valve
21	12931-33200	Retainer, Spring
22	12920-38A00	Spring Set, Valve
23	12933-33201	Seat, Spring
24	09289-05015	Oil Seal (5.5x11x8.2)

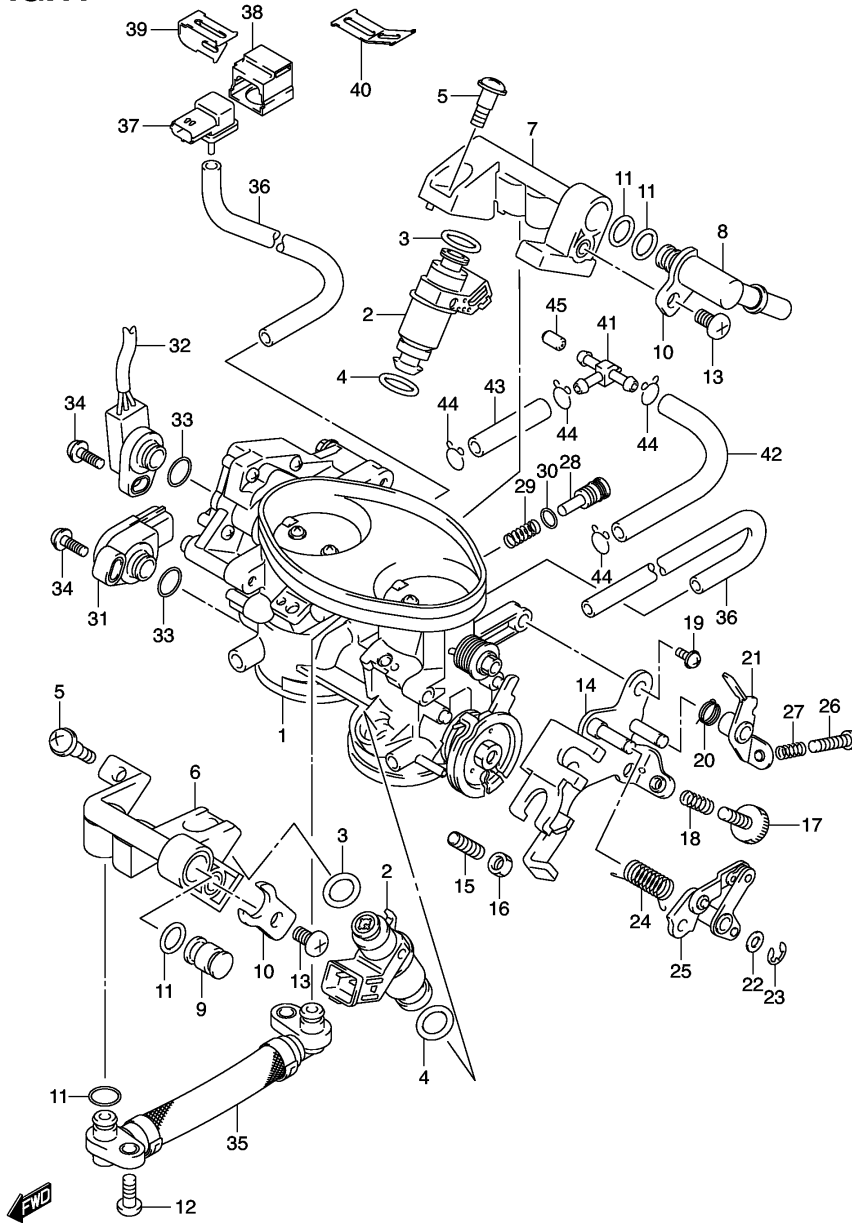
VZ800K5 E03 E28_009
 CAM SHAFT/VALVE

FIG.10



Ref No	Part No	Description
1	12760-41F00	Chain, Cam Shaft Drive Front
2	12760-38A20	Chain, Cam Shaft Drive Rear
3	12772-41F00	Guide, Cam Chain Front
4	12771-41F00	Guide, Cam Chain Rear
5	09100-06129	Bolt (6x26)
6	08211-06182	Washer
7	09180-06148	Spacer
8	12831-38A01	Adjuster Assy, Tensioner Front
9	12832-41F01	Adjuster Assy, Tensioner Rear
10	07130-0620B	Bolt (6x20)
11	07130-0630B	Bolt (6x30)
12	07130-0645B	Bolt (6x45)
13	12811-41F00	Tensioner, Cam Chain Front
14	12816-38A01	Tensioner, Cam Chain Rear

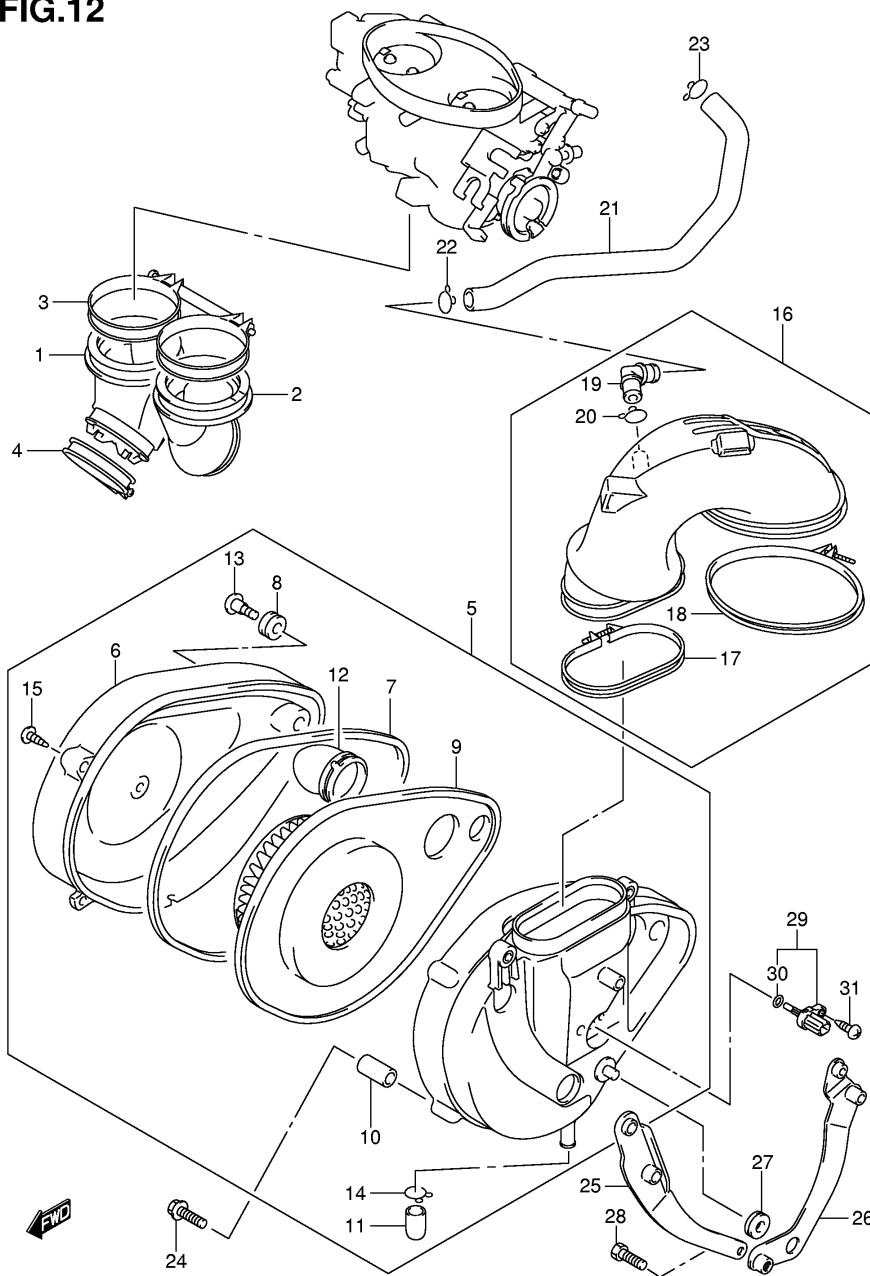
FIG.11



Ref No	Part No	Description
1	13401-41F00	Body, Throttle
1	13401-41F10	Body, Throttle
2	15710-14G00	Injector Assy
3	15721-10G00	O Ring
4	15722-10G00	O Ring
5	13602-34F50	Screw, Throttle Cover
6	13471-10F00	Pipe, Fuel
7	13471-10F10	Pipe, Fuel
8	13473-41F00	Joint
9	13476-10F00	Plug
10	13428-10F00	Plate
11	15721-24F00	O Ring
12	13602-10F00	Screw
13	13602-10F10	Screw
14	13565-41F00	Plate, Stay
15	13267-10G00	Screw
16	13661-10G00	Nut
17	13605-10F00	Screw, Idle
18	13268-35F00	Spring
19	13601-10G00	Screw
20	13426-35F10	Spring
21	13414-40F00	Link Lever
22	13427-35F10	Washer
23	13424-35F10	E Clip
24	13426-40F00	Spring
25	13420-40F20	Lever Set, Link
26	13602-10F20	Stop Screw
27	13543-24F00	Spring
28	13279-10G00	Adjust Screw
29	13271-10G00	Spring
30	13295-10G00	O Ring
31	13580-40F20	Sensor Assy, Throttle Main
32	13580-41F00	Sensor Assy, Throttle Sub
33	13575-40F00	O Ring
34	13605-40F00	Screw
35	13680-10F00	Pipe Assy, Fuel
36	13683-41FA0	Hose
37	18591-42F00	Sensor, Pressure
38	18595-42F20	Holder
39	18598-41F00	Bracket, Boost Sensor Front
40	18599-39G00	Bracket, Boost Sensor Rear
41	13685-48B00	Joint
42	13683-41FB1	Hose
43	13683-41FC1	Hose
44	13693-24F00	Clip
45	13685-10F00	Pipe, Purge Hose

VZ800K5 E03 E28_011
THROTTLE BODY

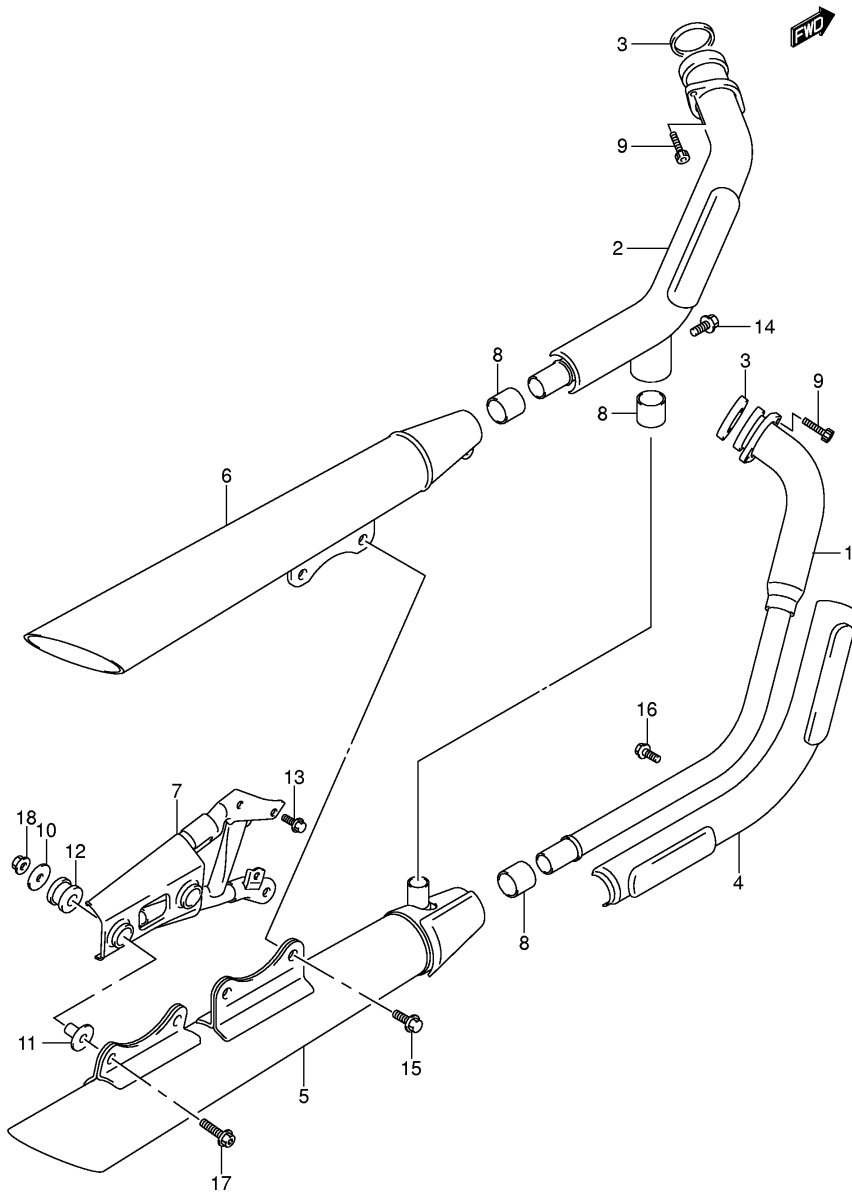
FIG.12



Ref No	Part No	Description
1	13111-41F00	Pipe, Intake No.1
2	13121-41F00	Pipe, Intake No.2
3	13170-41F00	Clamp, Intake Pipe
4	13170-15G00	Clamp, Intake Pipe Head
5	13701-39G00	Case Assy, Air Cleaner
6	13741-39G00	. Cap, Air Cleaner
7	13795-39G00	. Gasket
8	13747-39G00	. Cushion
9	13780-39G00	. Filter
10	13838-14G00	. Collar
11	13859-41B10	. Plug
12	13891-39G00	. Tube, Inlet
13	09139-06087	. Screw (m6x20)
14	09401-14301	. Clip
15	13831-39G00	. Screw
16	13880-39G00	Tube Assy, Outlet
17	13826-41F00	. Clamp
18	13826-41F11	. Clamp
19	13858-14D10	. Joint
20	09401-14301	. Clip
21	13853-41F10	Tube, Breather
22	09401-15101	Clip
23	09401-16301	Clip, Breather Tube
24	09139-06148	Screw (6x20)
25	13760-39G00	Bracket, Air Clnr
26	13770-39G00	Bracket, Air Clnr
27	09320-08018	Cushion (8x26x7)
28	01500-0625B	Bolt
29	13650-41F10	Sensor, Air Temp
30	13655-41F10	. O Ring
31	03511-0516B	Screw

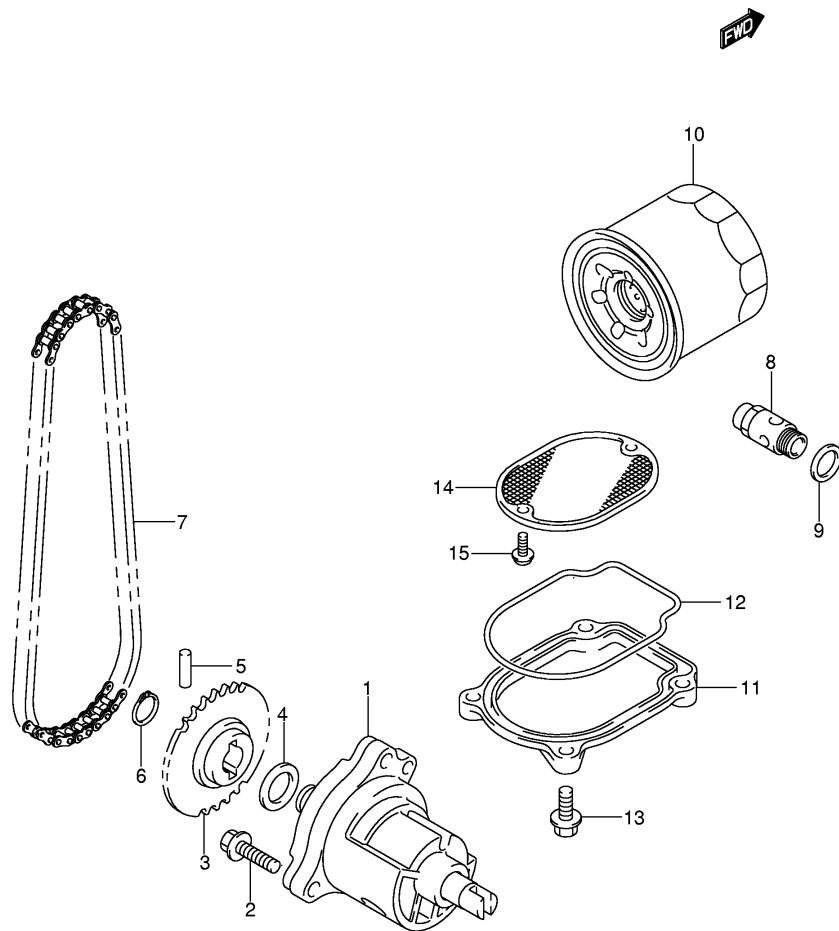
VZ800K5 E03 E28_012
 AIR CLEANER

FIG.13



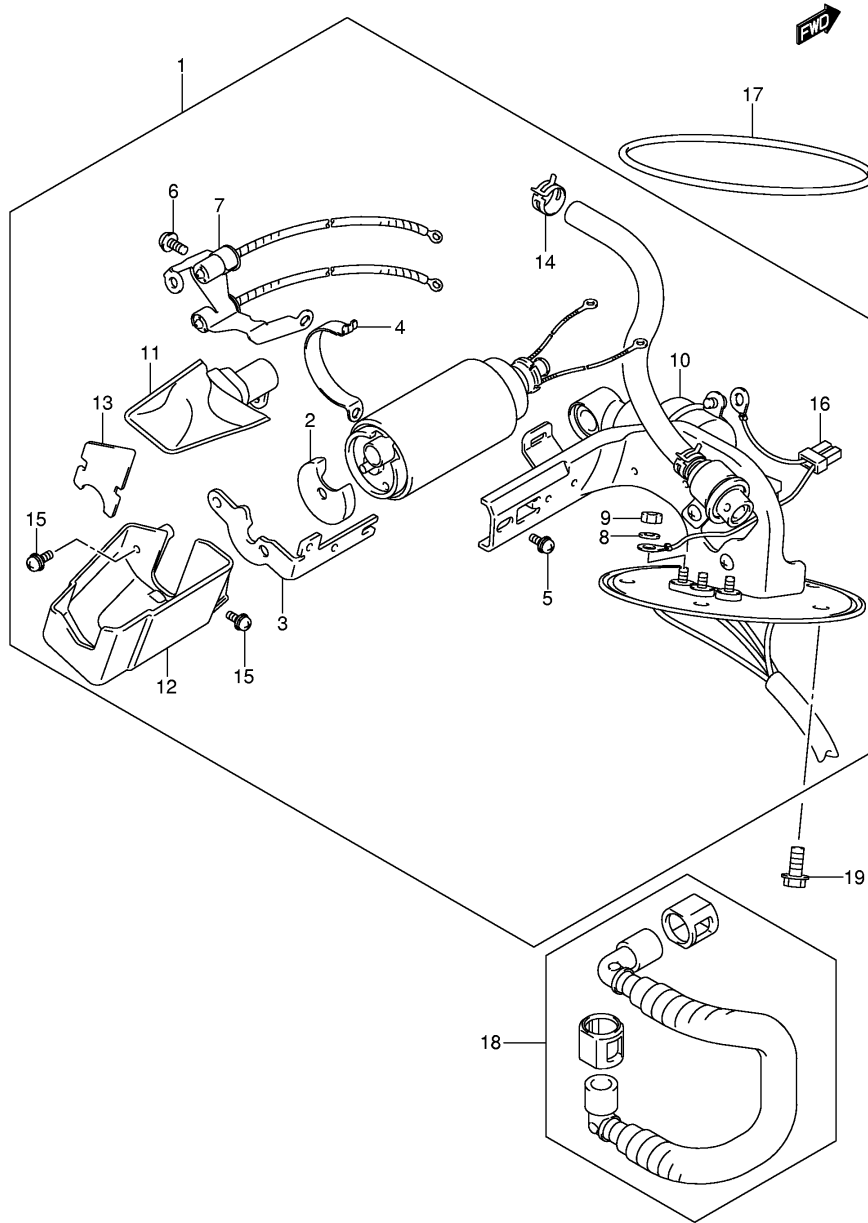
Ref No	Part No	Description
1	14150-41F02	Pipe, Exhaust Rh
2	14160-41F02	Pipe, Exhaust Lh
3	14181-10F00	Gasket, Exhaust
4	14180-41F02	Cover, Exhaust Front
5	14310-41F12-H01	Muffler, Front
6	14340-41F12-H01	Muffler, Rear
7	14410-41F01	Bracket, Muffler Support
8	14771-29E00	Connector, Muffler
9	09106-08165	Bolt, Exhaust Pipe
10	09160-08140	Washer
11	09180-08156	Spacer
12	09320-12049	Cushion
13	01550-0816B	Bolt, Muffler Support Bracket
14	01550-0835B	Bolt, Muffler Connector
15	01550-0845B	Bolt, Muffler Support
16	07120-0616B	Bolt, Exhaust Cover
17	09106-08174	Bolt, Muffler Joint
18	08361-2508A	Nut

FIG.14



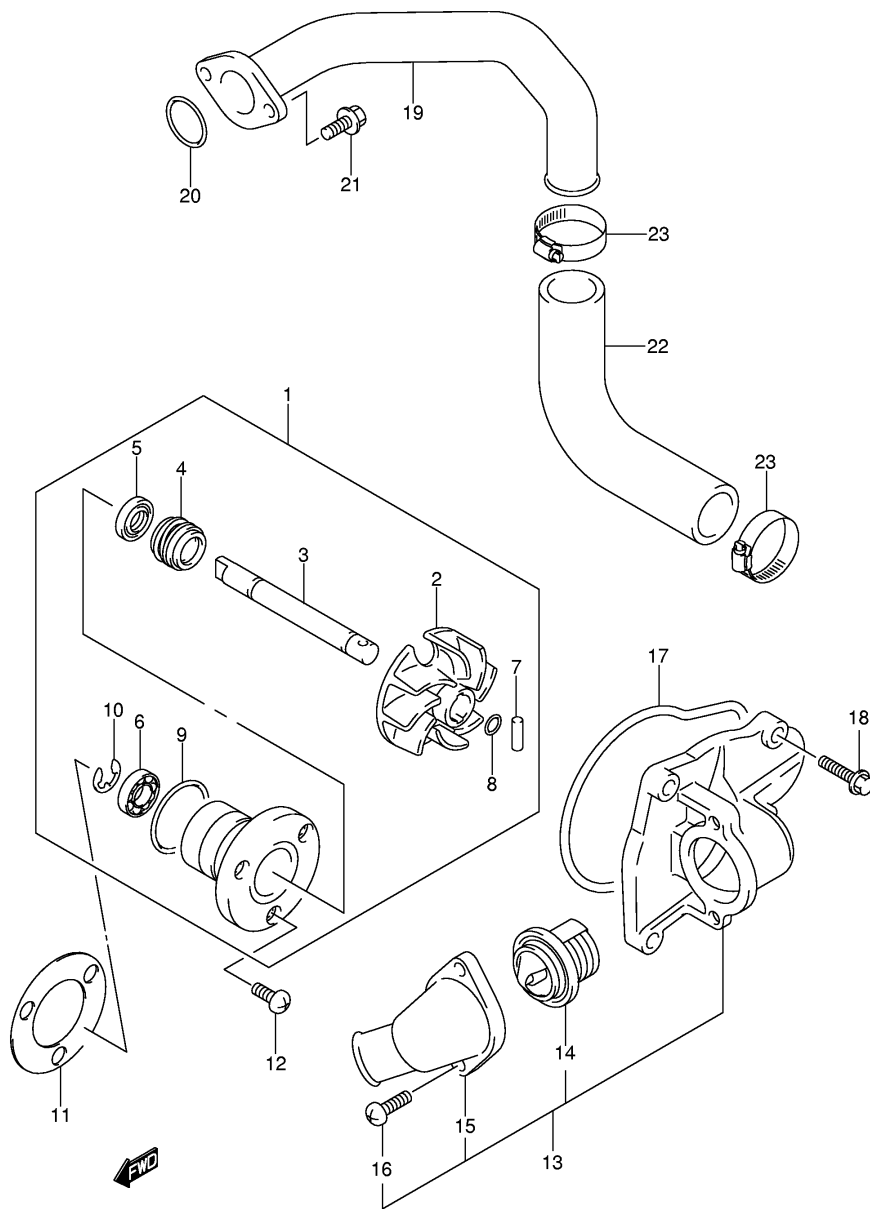
Ref No	Part No	Description
1	16400-38A01	Pump Assy, Eng Oil
2	01550-0625B	Bolt, Oil Pump
3	16331-38A10	Sprocket, Oil Pump Driven
4	09181-12158	Washer, Oil Pump Driven
5	09261-05006	Pin, Oil Pump Driven Sp
6	08331-31126	Circlip, Oil Pump Driven
7	16310-38A00	Chain Assy, Oil Pump Dr
8	16440-17C20	Valve Assy, Oil Relief
9	09168-16002	Gasket, Oil Relief Valve
10	16510-03G00-X07	Filter Assy, Engine Oil
11	16523-38A00	Cap, Oil Strainer
12	16528-38A00	O Ring, Oil Strainer Ca
13	01550-0620B	Bolt, Oil Strainer Cap
14	16520-38A00	Strainer, Eng Oil
15	02112-7512B	Screw, Oil Strainer

FIG.15



Ref No	Part No	Description
1	15100-39G10	Pump Assy, Fuel
2	15111-41F10	• Cushion
3	15112-39G00	• Holder
4	15115-10F00	• Band, Fuel Pump
5	15116-10F00	• Screw
6	15116-10F10	• Screw
7	15170-39G10	• Thermistor
8	15172-35F00	• Spring Washer
9	15173-35F00	• Nut
10	15410-39G00	• Plate Assy
11	15420-39G00	• Strainer, Fuel
12	15425-39G00	• Vessel
13	15426-39G00	• Cover
14	15427-39G00	• Clip
15	15429-41F20	• Screw
16	15185-39G10	• Harness
17	15201-35F00	O Ring, Fuel Pump
18	15810-41F00	Hose, Fuel
19	07120-0612B	Bolt

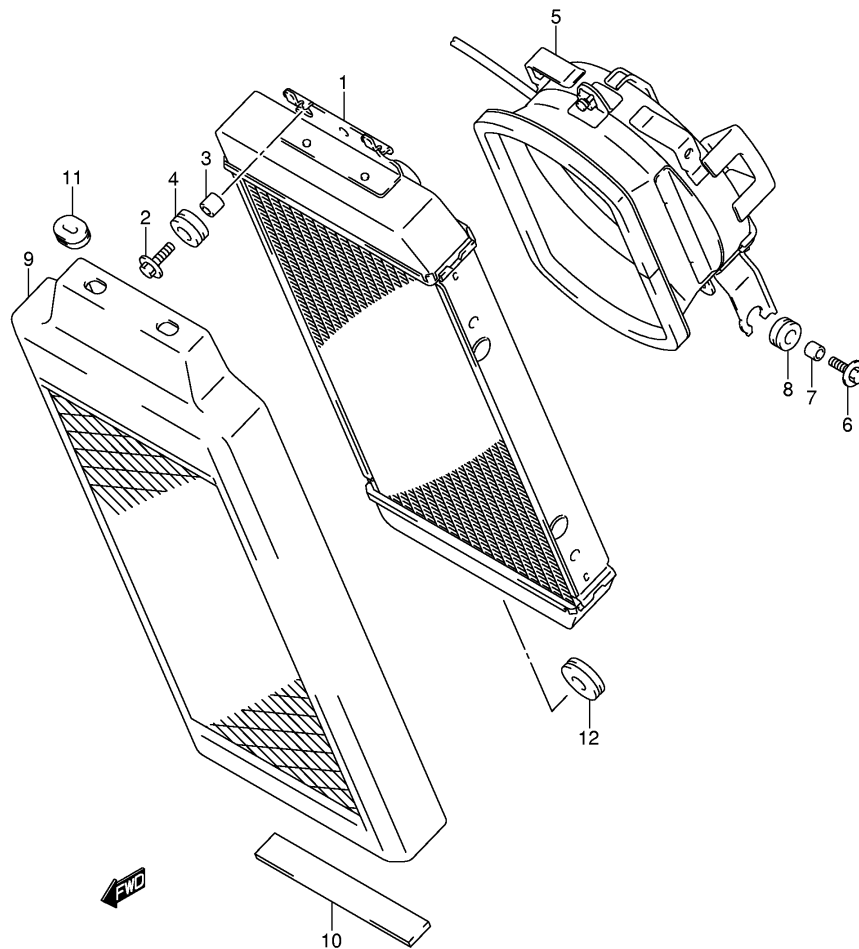
FIG.16



Ref No	Part No	Description
1	17400-38A10	Pump Assy, Water
2	17491-38A00	. Impeller
3	17511-38A00	. Shaft
4	17470-02F10	. Seal, Mechanical
5	09283-10004	. Oil Seal (10x21x5)
6	09262-10004	. Bearing (10x22x6)
7	17516-38A00	. Pin
8	17515-38A00	. O Ring
9	17417-38A00	. O Ring
10	08332-11086	. E Ring
11	17431-38A10	Gasket, Water Pump
12	02112-0612B	Screw
13	17410-41F10	Cap Assy, Water Pump
14	17670-33410	. Thermostat, Water
15	17412-41F00	. Connector
16	02112-0616A	. Screw
17	17435-38A00	O Ring
18	01547-0620B	Bolt
19	17890-41F00	Pipe, Cylinder In
20	09280-24007	O Ring, Inlet Pipe
21	01547-0616B	Bolt
22	17858-38820	Hose, Water Pump Out
23	09402-32511	Clamp

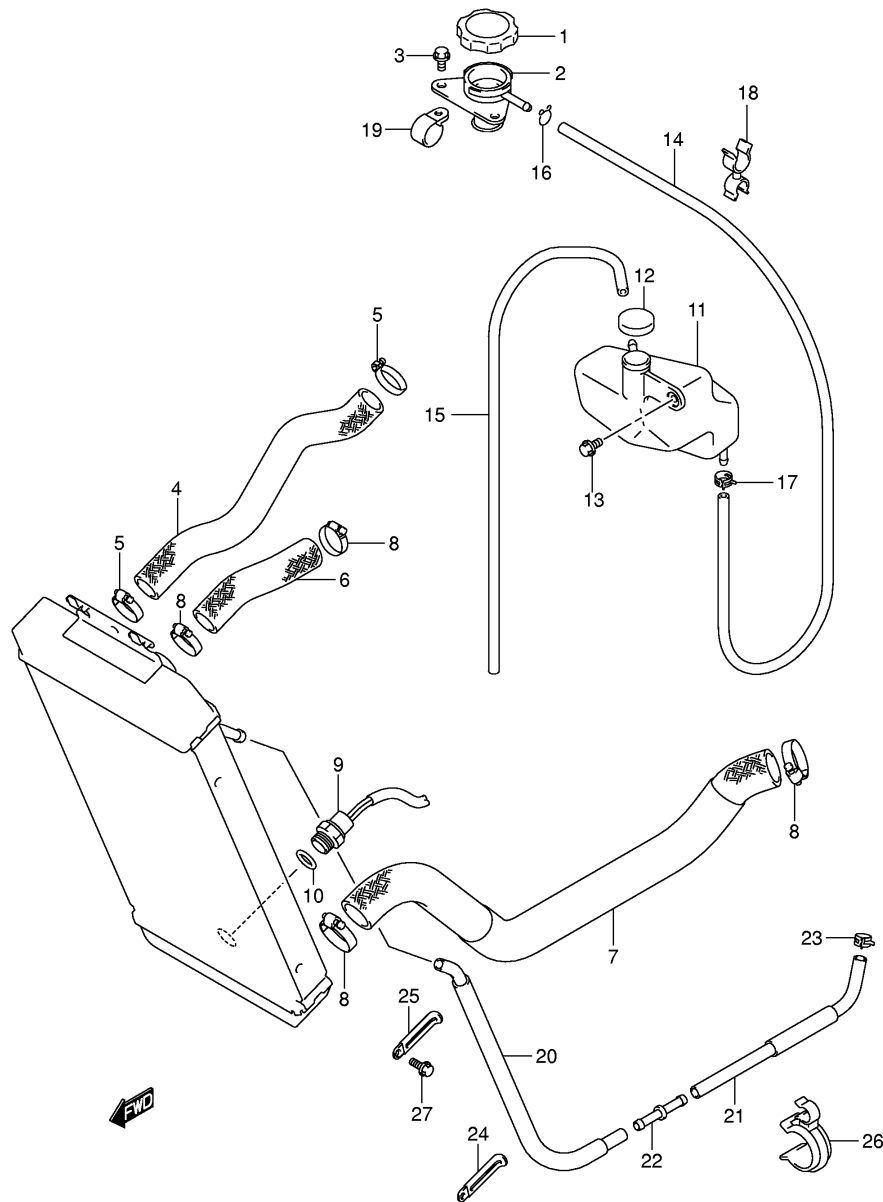
VZ800K5 E03 E28_016
 WATER PUMP

FIG.17



Ref No	Part No	Description
1	17710-41F20	Radiator Assy, Water
2	09116-06201	Bolt (6x20)
3	09180-06310	Spacer
4	09320-10501	Cushion
5	17800-41F10	Fan Assy, Radiator
6	09116-06201	Bolt (6x20)
7	09180-06310	Spacer
8	09320-10055	Cushion
9	17760-41F00	Cover, Radiator
10	17798-39G00	Cushion, Inner
11	09320-03004	Cushion, Upper
12	09320-08028	Cushion, Lower

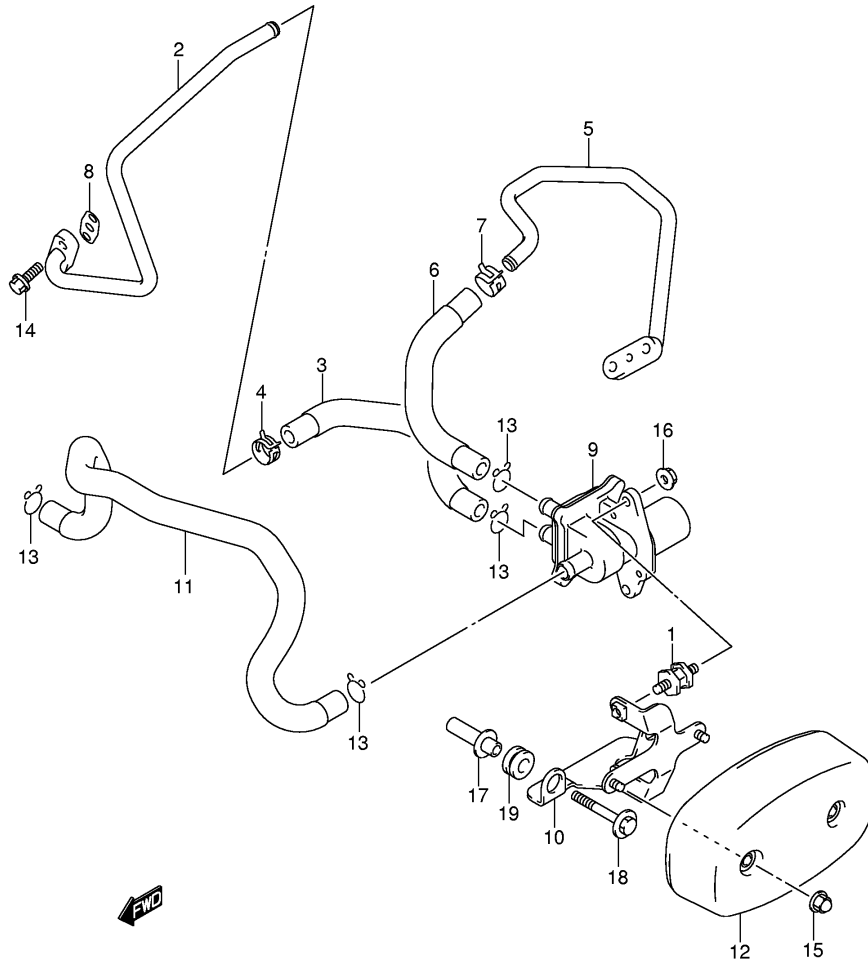
FIG.18



Ref No	Part No	Description
1	17730-12C30	Cap, Radiator, 1.1
2	17791-24D00	Conduction
3	01550-0616B	Bolt
4	17853-41F00	Hose, Conduction
5	09402-28511	Clamp
6	17851-41F00	Hose, Radiator Inlet
7	17852-41F02	Hose, Radiator Outlet
8	09402-32511	Clamp, Water Hose
9	17680-33E00	Switch, Radiator Fan
10	17689-50F00	. O Ring
11	17911-41F11	Reservoir Tank
12	17932-12C00	. Cap, Reservoir Tank
13	09111-06085	Bolt
14	17981-41F10	Hose, Inlet
15	17981-19F00	Hose, Outlet
16	09401-08410	Clip
17	09401-08411	Clip
18	09408-00078	Clamp
19	09403-08404	Clamp
20	17855-41F00	Hose, Water Bypass
21	17856-41F00	Hose, Water Bypass
22	09367-08001	Joint
23	09401-12405	Clip
24	09404-08207	Clamp
25	09404-10205	Clamp
26	09408-00177	Clamp
27	09103-10393	Bolt

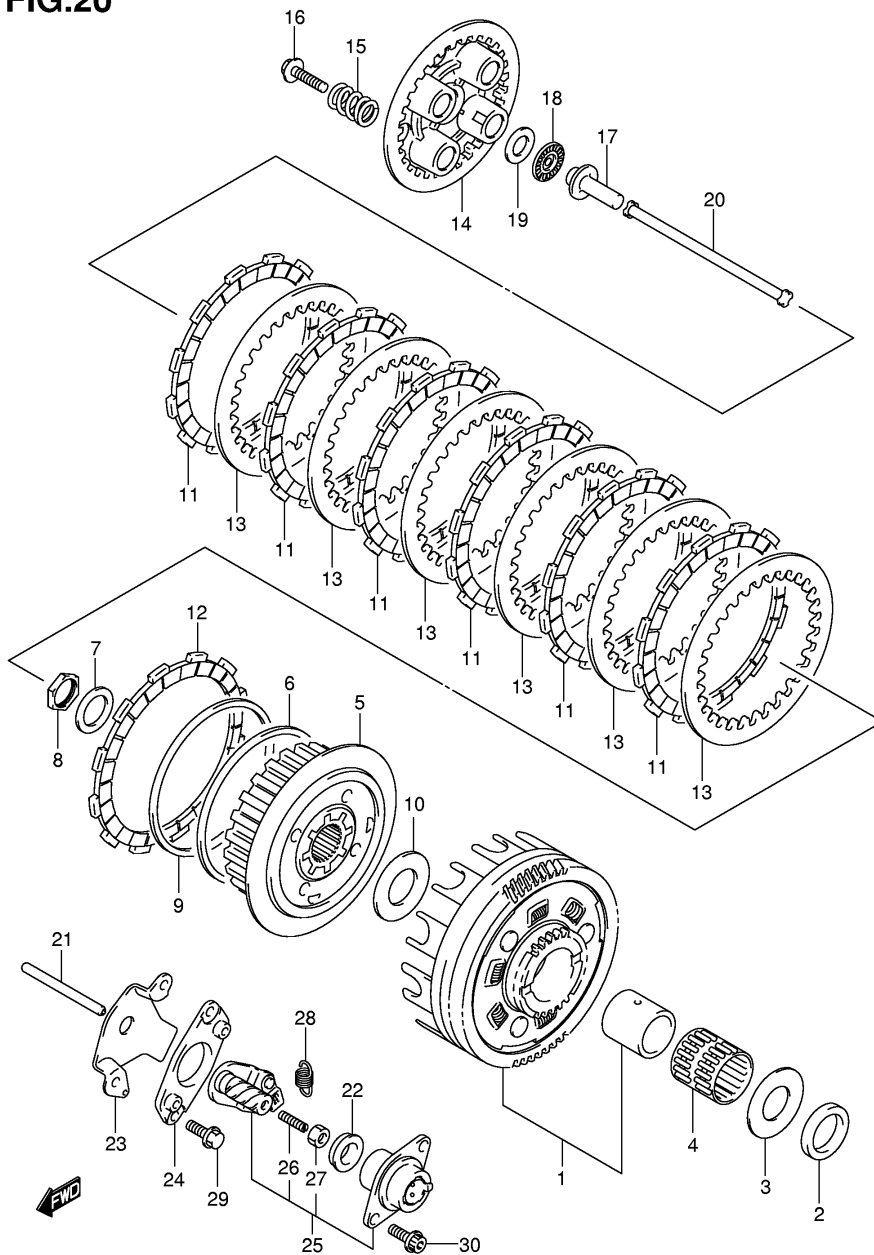
VZ800K5 E03 E28_018
 RADIATOR HOSE

FIG.19



Ref No	Part No	Description
1	17788-13612	Bolt, 2nd Air Valve Cushion
2	18410-41F20	Pipe, 2nd Air Fr
3	18461-41F20	Hose, 2nd Air Valve Fr
4	09401-15407	Clip, 2nd Air Hose
5	18420-41F20	Pipe, 2nd Air Rr
6	18471-41F20	Hose, 2nd Air Valve Rr
7	09401-15407	Clip, 2nd Air Hose
8	18441-45C01	Gasket, 2nd Air Pipe
9	18450-10F20	Valve Assy, 2nd Air
10	18610-41F20	Bracket, 2nd Air S
11	18711-41F20	Hose, 2nd Air Clnr
12	18780-41F20	Cover, 2nd Air Val
13	09401-15101	Clip, 2nd Air Hose
14	01547-06167	Bolt, 2nd Air Pipe
15	08313-20067	Nut, 2nd Air Cov
16	08316-1006B	Nut, 2nd Air Valve
17	18620-41F00	Spacer, 2nd Air Br
18	09116-06183	Bolt, 2nd Air Brkt
19	09320-10015	Cushion, 2nd Air Brkt

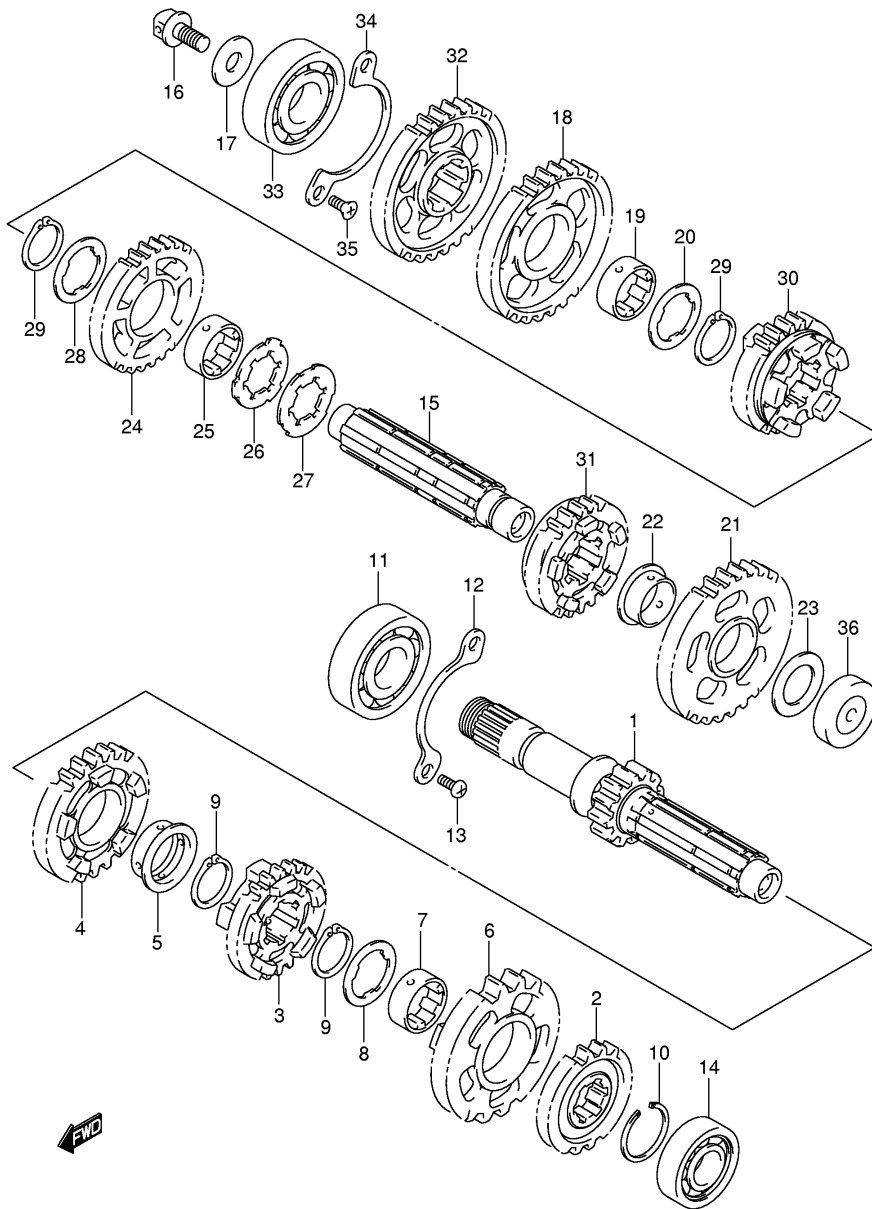
FIG.20



Ref No	Part No	Description
1	21200-38840	Gear, Primary Driven (nt:71)
2	09180-25077	Spacer (25x38x6.5)
3	09160-25055	Washer (25x50x2.5)
4	09263-35017	Bearing (35x40x35.8)
5	21410-41F00	Hub, Sleeve
6	21471-37400	Seat, Wave Washer
7	09164-22007	Washer, Wave
8	09140-22008	Nut
9	09164-00004	Washer (110.5x119x0.9)
10	09160-25055	Washer (25x50x2.5)
11	21441-37400	Plate, Drive No.1
12	21442-37401	Plate, Clutch Drive No.2
13	21451-14A00	Plate, Driven
14	21462-27A00	Disc, Pressure
15	21413-41F00	Spring, Clutch
16	09116-06203	Bolt (6x30)
17	23121-31E00	Piece, Push
18	09263-15003	Bearing (15x28x2)
19	09160-15045	Washer (15.5x28x1)
20	23110-27A00	Rod, Push Rh
21	23111-45C00	Rod, Push Lh
22	09285-06017	Oil Seal (6x34x11.0)
23	23117-45C00	Retainer
24	23130-45C00	Bracket, Release Screw
25	23200-41F00	Screw Assy, Clutch Release
26	09134-06010	• . Screw
27	08310-00067	• . Nut
28	09443-09050	Spring, Release Arm
29	07120-0620B	Bolt, Bracket
30	07120-0616B	Bolt, Release Screw

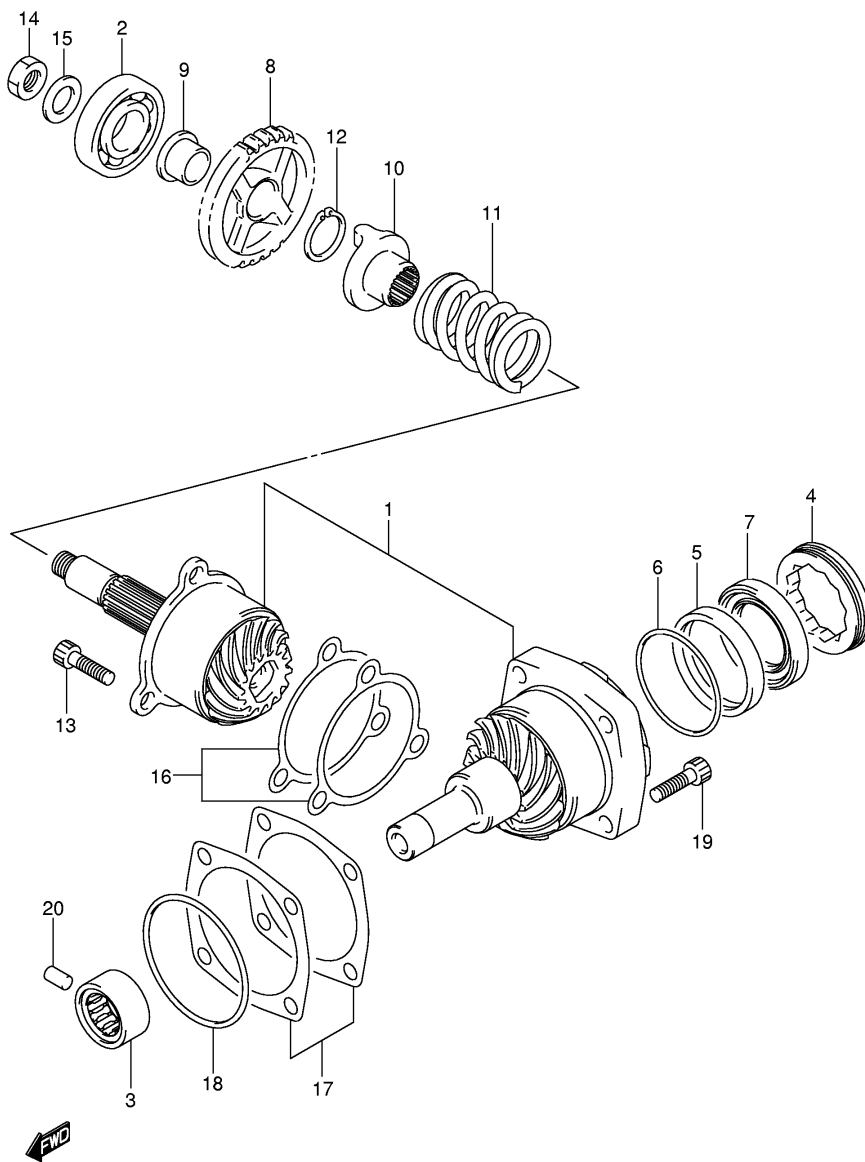
VZ800K5 E03 E28_020
 CLUTCH

FIG.21



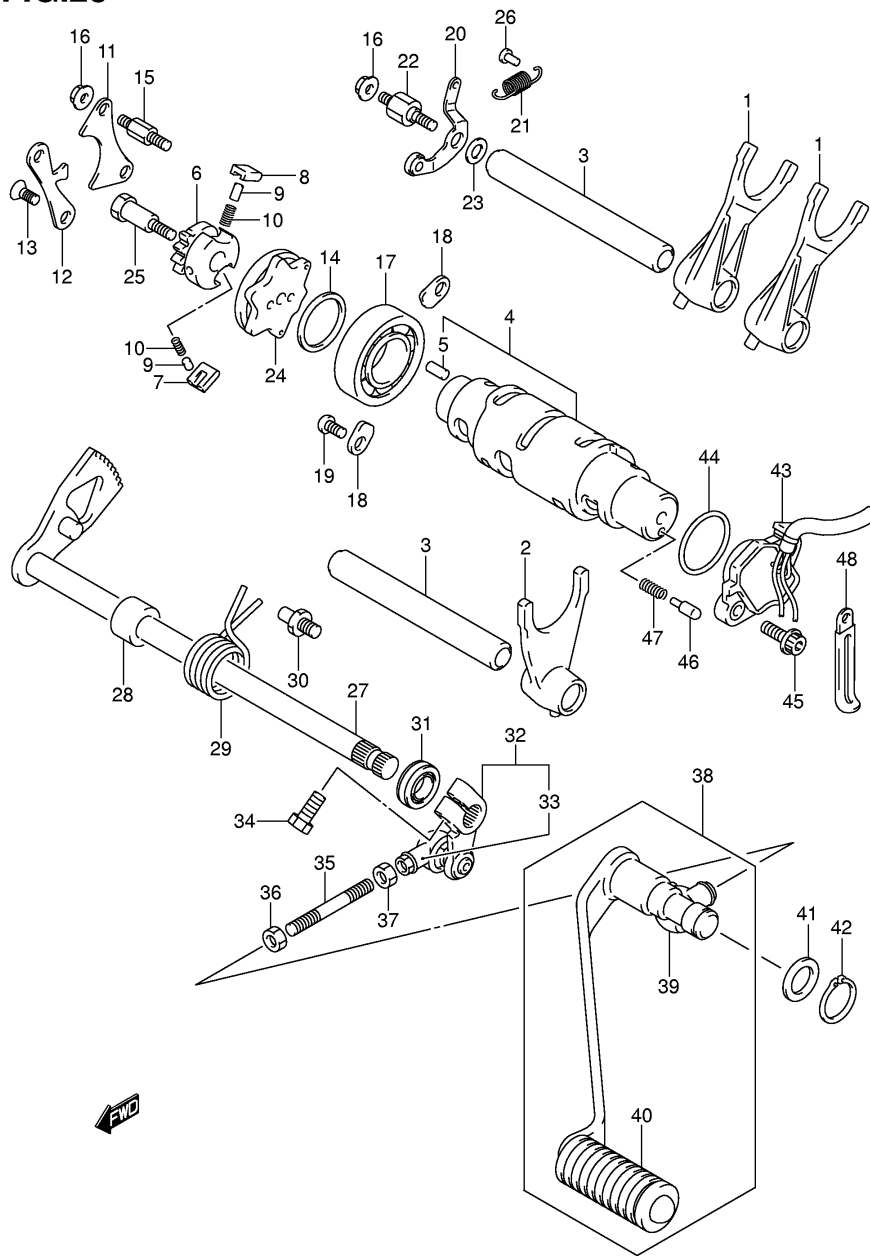
Ref No	Part No	Description
1	24120-41F00	Shaft, Counter
2	24221-38A01	Gear, 2nd Drive (nt:19)
3	24231-41F00	Gear, 3rd Drive (nt:22)
4	24241-41F00	Gear, 4th Drive (nt:25)
5	24322-19F00	Bush, 4th
6	24251-41F00	Gear, 5th Drive (nt:27)
7	24252-38A10	Bush, 5th
8	09167-25016	Washer (25.5x35x1.0)
9	09380-25003	Circlip
10	09380-25010	Circlip
11	09262-25080	Bearing, Rh (25x62x17)
12	24741-38A00	Retainer
13	09125-06110	Screw (6x12)
14	09262-20139	Bearing, Lh (20x47x14)
15	24131-38A03	Drive Shaft
16	24135-38A02	Nozzle
17	08211-10305	Washer
18	24311-41F00	Gear, 1st Driven (nt:32)
19	24332-07A00	Bush
20	09167-28001	Washer (28.1x38x1.0)
21	24321-41F00	Gear, 2nd Driven (nt:31)
22	09301-22002	Bush
23	09181-20251	Washer (20x34x1)
24	24331-41F00	Gear, 3rd Driven (nt:27)
25	24332-07A00	Bush
26	09169-28001	Lock Washer, Rh
27	09167-28002	Lock Washer, Lh
28	09167-28001	Washer (28.1x38x1.0)
29	08331-3128A	Circlip
30	24341-41F00	Gear, 4th Driven (nt:25)
31	24351-41F00	Gear, 5th Driven (nt:22)
32	24621-38A00	Gear, Reduction Drive (nt:30)
33	09262-20073	Bearing, Rh (20x52x15)
34	24751-38A00	Retainer
35	09126-06011	Screw (6x12)
36	09262-20080	Bearing, Lh (20x52x15)

FIG.22



Ref No	Part No	Description
1	24900-41810	Gear & Housing Set, Secondary
2	09262-20073	. Bearing (20x52x15)
3	09263-20038	. Bearing (20x34x16)
4	24942-38A50	. Stopper, Bearing
5	24943-38A50	. Housing, Oil Seal
6	09280-60003	. O Ring (d:1.2,id:59.6)
7	09283-38016	. Oil Seal (38x54x8.5)
8	24631-38A00	Gear, Reduction Driven (nt:30)
9	24632-38A00	Bush
10	24922-38A00	Dog, Output Cam
11	09440-44002	Spring
12	08331-3121A	Circlip
13	09106-08097	Bolt
14	09140-16001	Nut
15	09160-16029	Washer (16x29x4)
16	24935-38810	Shim Set, Sec Drive Gear
17	24945-05810	Shim Set, Sec Drive Housing
18	09280-67004	O Ring (d:2.1,id:66.2)
19	09106-08097	Bolt
20	04221-07129	Pin

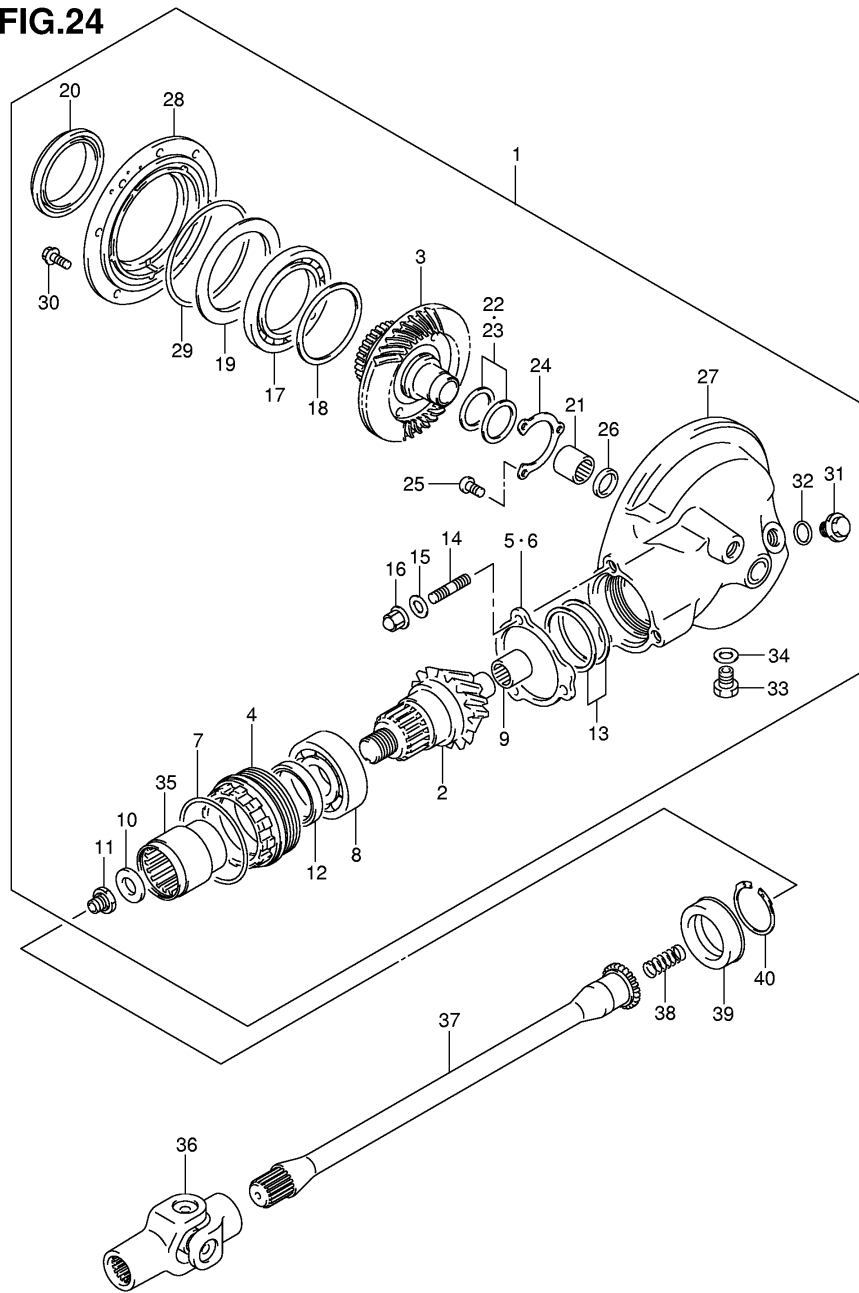
FIG.23



Ref No	Part No	Description
1	25211-38A02	Fork, Gear Shifting No.1
2	25221-38A01	Fork, Gear Shifting No.2
3	25411-38A00	Shaft, Gear Shifting Fork
4	25310-41F00	Cam, Gear Shifting
5	04221-04089	• . Pin
6	25322-31310	Gear, Cam Driven
7	25323-34201	Pawl, No.1
8	25324-34201	Pawl, No.2
9	09261-05003	Pin
10	09440-04003	Spring
11	25331-38A00	Lifter, Pawl
12	25341-38A00	Guide, Cam
13	09126-06011	Screw (6x12)
14	09160-25059	Washer (25x32x3)
15	25332-38A10	Boss, Shift Pawl Lifter
16	08316-1006B	Nut
17	09262-25006	Bearing (25x47x8)
18	24741-21A00	Retainer, Bearing
19	09125-06110	Screw (6x12)
20	25350-38A00	Stopper, Cam
21	09443-09027	Spring
22	25355-38A10	Support, Cam Stopper
23	08211-06141	Washer
24	25380-38A02	Plate, Stopper
25	25312-38A00	Pin, Shift Cam
26	09223-04004	Rivet, Spring Stopper
27	25510-38A00	Shaft, Gear Shifting
28	09180-12068	Spacer (12x20x15.3)
29	09444-26013	Spring
30	25671-01011	Stopper, Arm
31	09285-12002	Oil Seal (12x22x9)
32	25520-04700	Arm, Gear Shift Link
33	25526-47000	• . Cover, Dust
34	01500-0620B	Bolt, Gear Arm
35	25525-22A10	Rod, Gear Shift Link
36	09140-06011	Nut, Gear Shift
37	08310-00067	Nut
38	25600-41F00	Lever Assy, Gear Shift
39	25526-47000	• . Cover, Dust
40	25652-38B00	• . Rubber, Gear Fr
41	09160-14055	Washer, Gear Shift
42	08331-3114A	Circlip
43	37730-41F01	Base Assy, Gear Shift Term
44	09280-26007	O Ring (d:2.4,id:25.7)
45	07120-0516B	Bolt
46	09209-05011	Contact, Switch
47	09440-04010	Spring
48	09404-06429	Clamp (l:45)

VL800K5 E03 E28_023
 GEAR SHIFTING

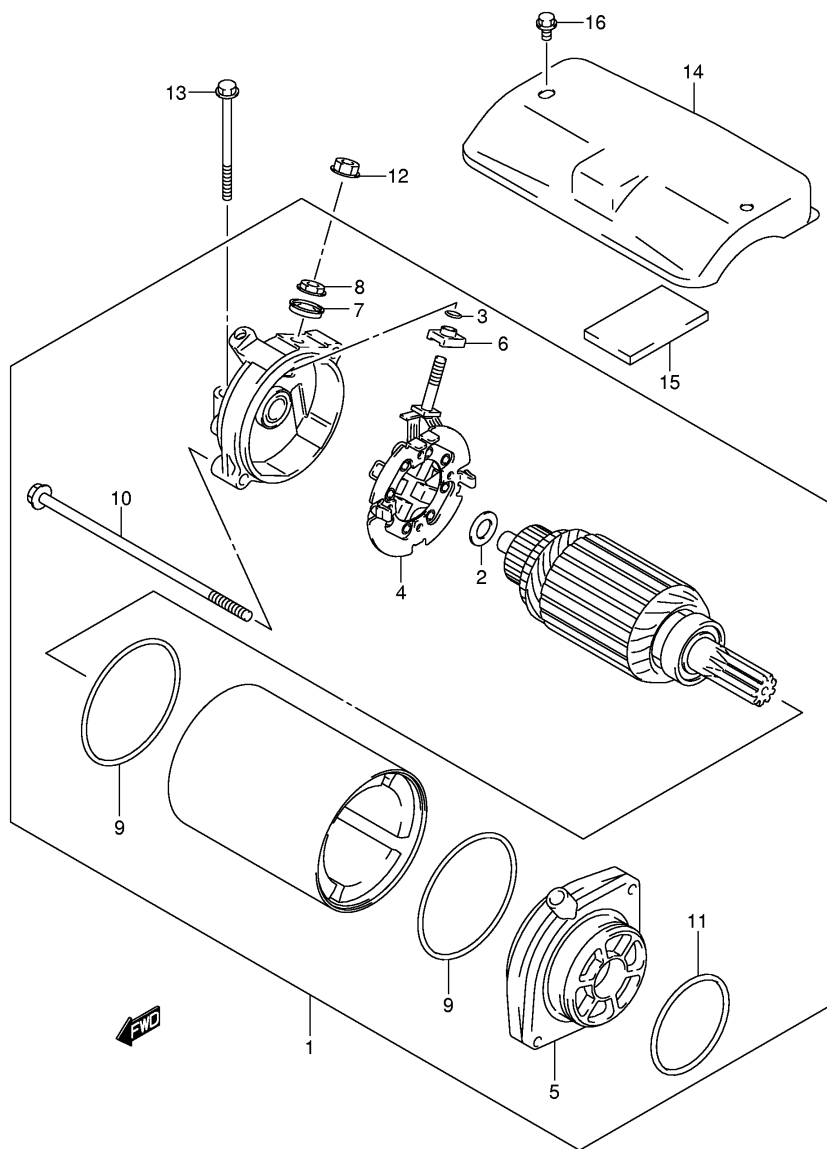
FIG.24



Ref No	Part No	Description
1	27300-38890	Gear & Case Set, Final Bevel
2	27311-38A00	. Gear, Final Drive Bevel
3	27320-45C01	. Gear, Final Driven Bevel
4	27312-38A00	. Stopper, Bearing
5	27313-38A00	. Plate
6	27313-38A10	. Plate
7	09280-62002	. O Ring (d:1.9,id:61.6)
8	09267-30005	. Bearing (30x62x23.8)
9	09263-17028	. Bearing (17x32x16)
10	09160-16029	. Washer (16x29x4)
11	09159-16010	. Nut
12	09283-38009	. Oil Seal (38x54x6)
13	27445-38810	. Shim Set, Final
14	09108-10095	. Stud Bolt
15	09164-10008	. Lock Washer
16	09159-10026	. Nut
17	09262-70001	. Bearing, Rh (70x110x13)
18	27327-34810	. Shim Set, Drive Gear Bearing
19	27328-34200	. Plate
20	09289-70001	. Oil Seal, Rh (70x96x16)
21	09263-32007	. Bearing, Lh (32x46x17.7)
22	27326-34820	. Shim Set, Final Drive Gear
23	27326-34810	. Shim Set, Final Drive Gear
24	27329-34200	. Retainer, Bearing
25	02112-0612B	. Screw
26	09283-30028	. Oil Seal (30x42x7)
27	27450-38A60	. Case, Final Gear
28	27460-07A01	. Case, Final Gear Bearing
29	09280-00015	. O Ring (d:3.5,id:131.6)
30	01550-0825B	. Bolt
31	09247-18001	. Plug, Oil Filler
32	09280-18004	. O Ring (d:2.4,id:17.8)
33	09247-14002	. Plug, Oil Drain
34	09168-14002	. Gasket (13.8x18.8x0.4)
35	27172-38A00	. Coupling, Propeller Shaft
36	27100-38A50	. Yoke, Universal Joint
37	27151-41F00	. Shaft, Propeller
38	09440-18019	. Spring
39	09283-30051	. Oil Seal (28.4x48x15)
40	09381-40003	. Circlip

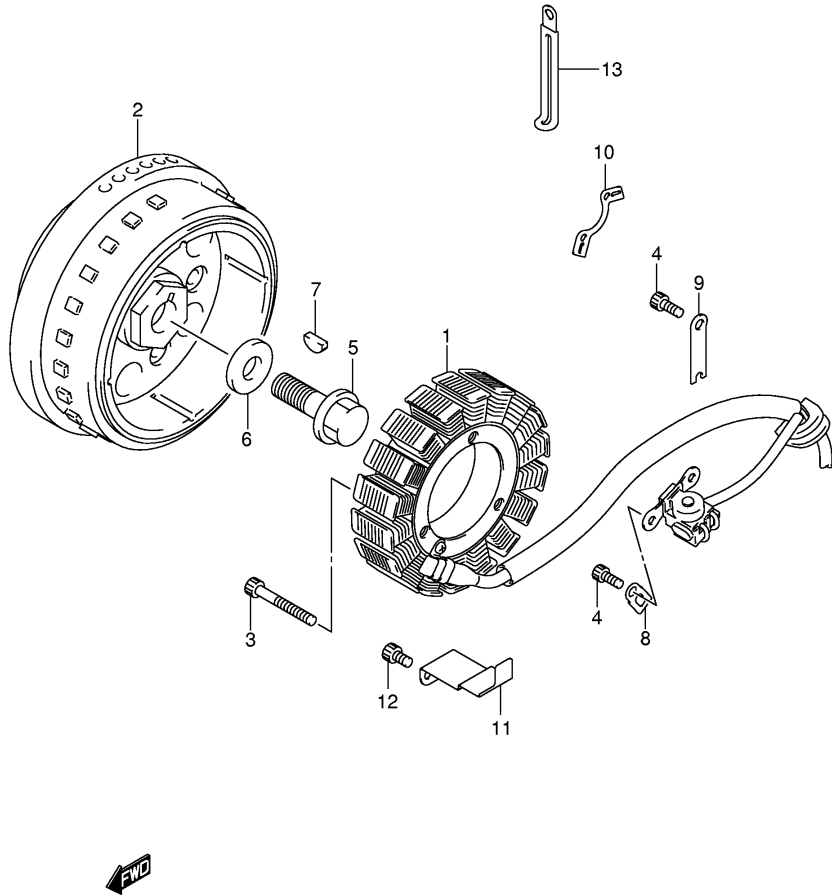
VZ800K5 E03 E28_024
PROPELLER SHAFT

FIG.25



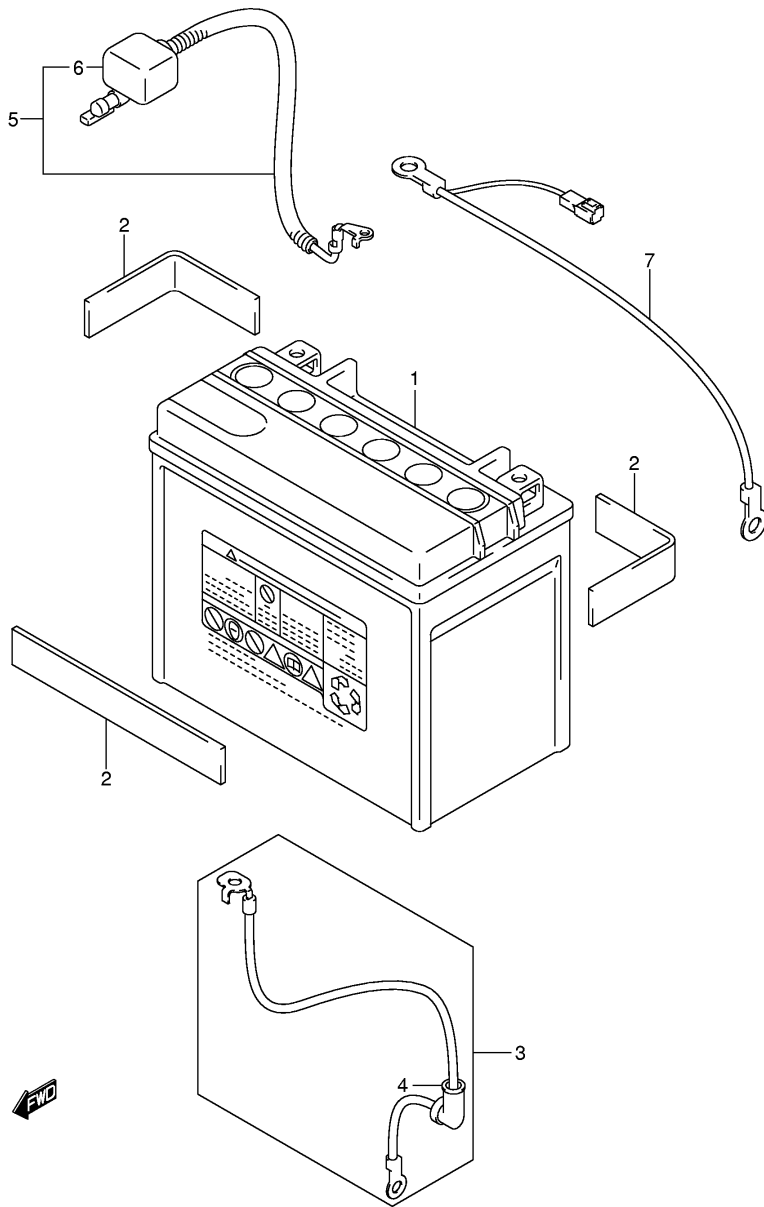
Ref No	Part No	Description
1	31100-45C01	Motor Assy, Starting
2	31170-43400	• Washer
3	31143-38300	• O Ring
4	31132-45C00	• Brush Holder Set (-)
5	31150-38A00	• Bracket Set
6	31172-38300	• Bushing
7	31173-88C00	• Bushing
8	08310-00067	• Nut
9	31264-44110	• O Ring
10	31281-24B10	• Screw
11	31156-38A00	• O Ring
12	08361-3506A	Nut
13	01547-0660B	Bolt
14	31210-41F00	Cover, Starting Motor
15	31212-38A10	Damper, Motor Cover
16	01547-0508B	Bolt, Cover

FIG.26



Ref No	Part No	Description
1	32101-41F10	Stator
2	32102-41F10	Rotor
3	07130-0640B	Bolt
4	07130-0510B	Bolt
5	09103-14001	Bolt, Rotor
6	09160-14021	Washer (14x29x4.0)
7	09420-05007	Key
8	31497-45000	Clamp
9	32371-38A10	Clamp
10	32371-41F00	Clamp
11	32371-45C00	Clamp
12	07130-0610B	Bolt
13	09404-08419	Clamp (l:80)

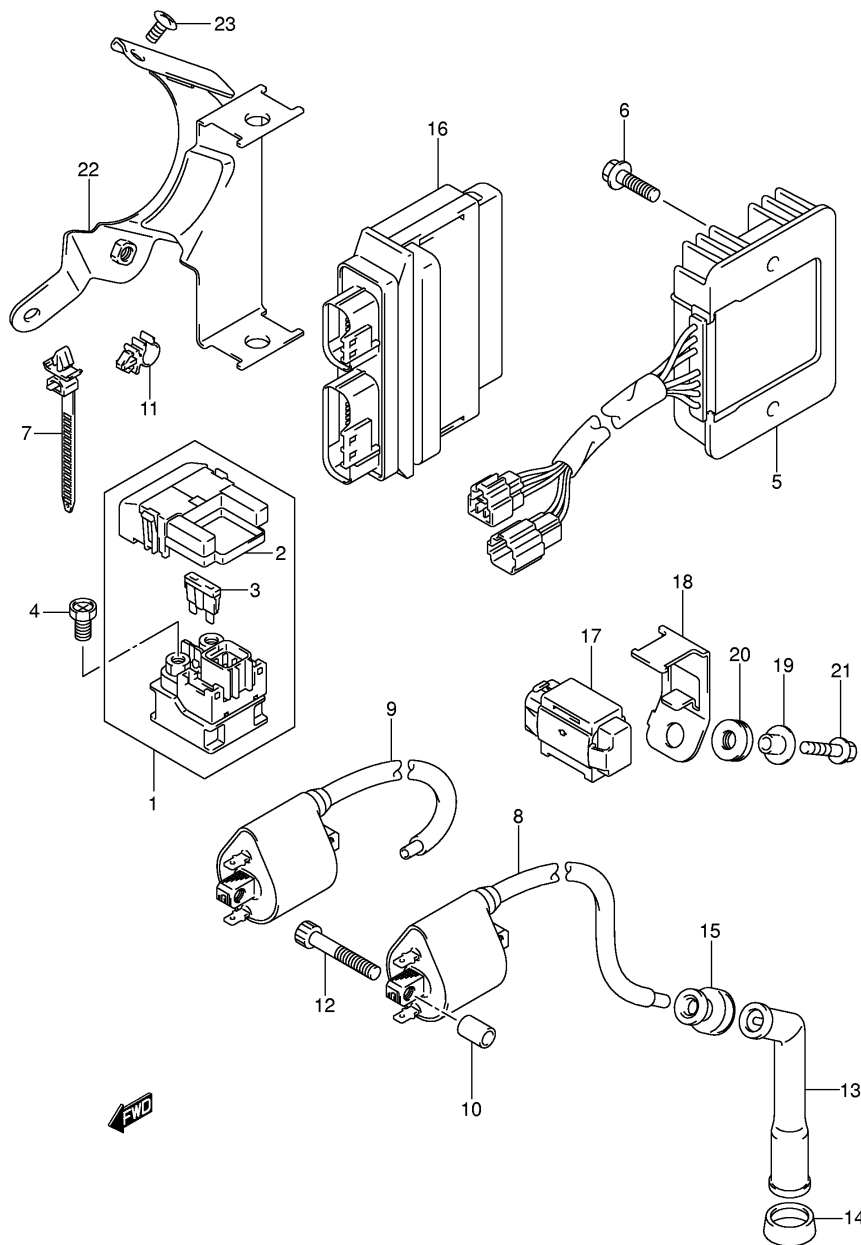
FIG.27



Ref No	Part No	Description
1	33610-48E20	Battery (ftx12-bs,12v,10ah)
2	33651-37000	Cushion (170x95x3.0)
3	33810-41F00	Wire, Starter Motor
4	31861-48B10	• . Cap, Starter Motor
5	33820-48E00	Wire, Battery Plus (+)
6	33624-16E00	• . Cap, Battery Plus
7	33860-41F00	Wire, Battery Minus (-)

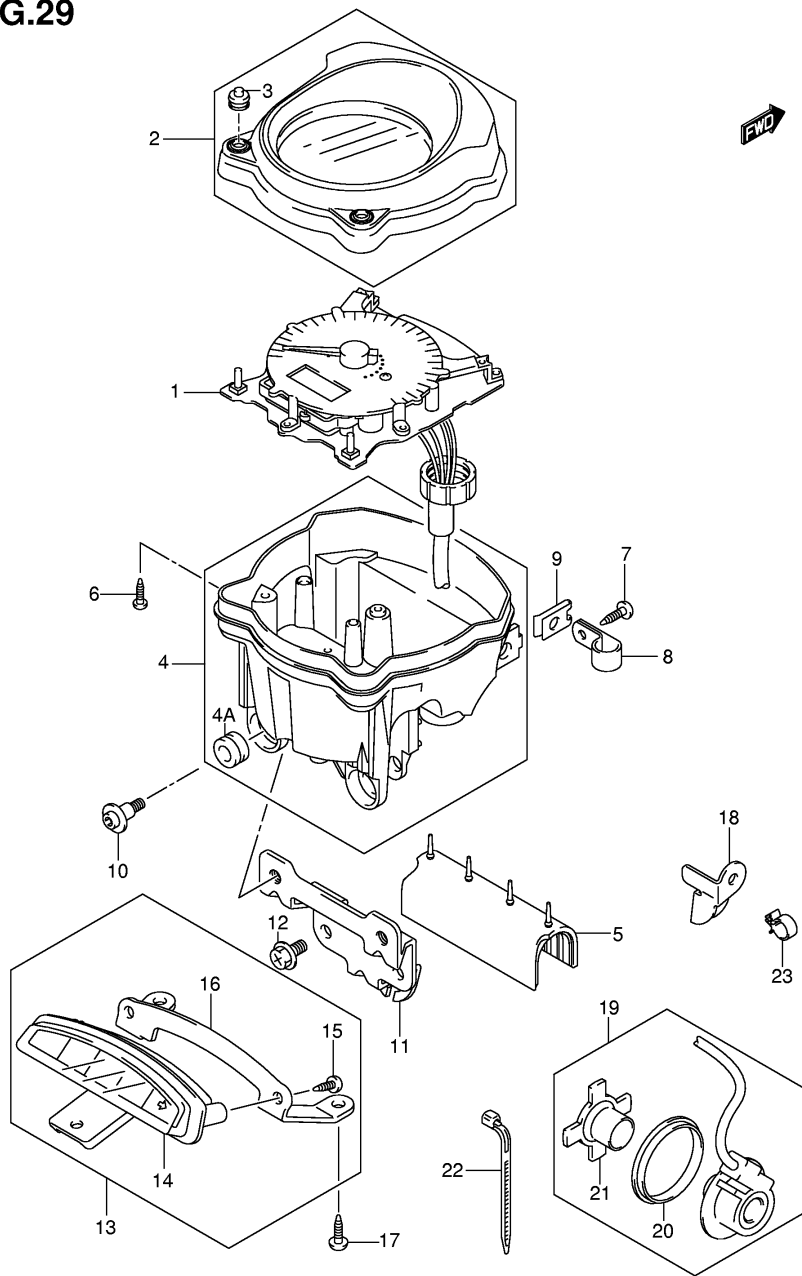
VZ800K5 E03 E28_027
 BATTERY

FIG.28



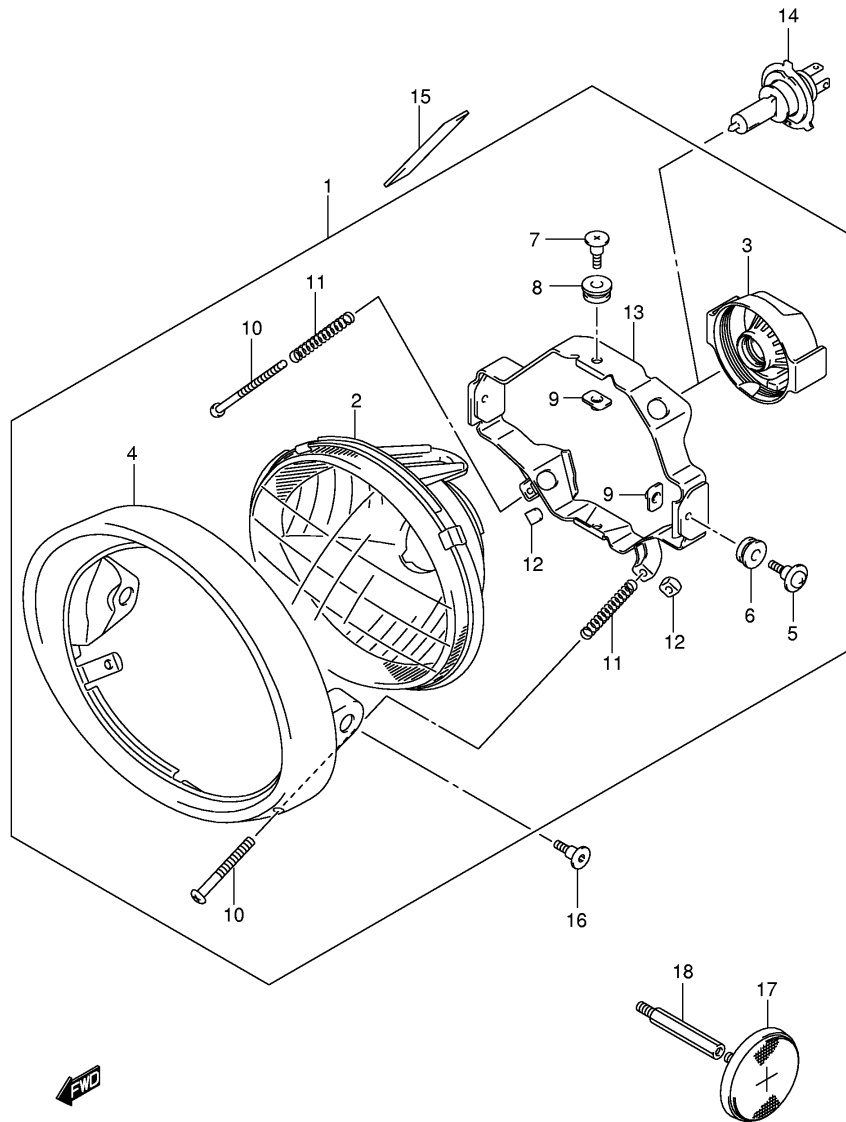
Ref No	Part No	Description
1	31800-21E20	Relay Assy, Starting Motor
2	31861-47E00	• . Cover, Relay Assy
3	09481-30101	• . Fuse (30a)
4	09128-06013	Bolt (6x8)
5	32800-41F10	Rectifier Assy
6	02162-0620B	Bolt
7	09407-11402	Clamp (1:90)
8	33410-17G00	Coil Assy, Ignition
9	33420-41F10	Coil Assy, Ignition
10	09180-06195	Spacer (6.4x10x18)
11	09403-07308	Clamp
12	07130-0635B	Bolt, Ignition Coil
13	33510-11410	Cap, Spark Plug
14	33541-47D00	Seal, Spark Plug
15	33542-38B00	Seal, High Tension Cord
16	32920-39G20	Control Unit, Fi
17	33960-06G10	Sensor Assy, Fuel Cut
18	33961-41F00	Bracket, Fuel Cut
19	09180-06325	Spacer, Fuel Cut
20	09320-06017	Cushion, Fuel Cut
21	01550-0616B	Bolt, Fuel Cut
22	44880-41F10	Bracket, Fi Unit
23	09139-06108	Bolt, Fi Unit (6x12)

FIG.29



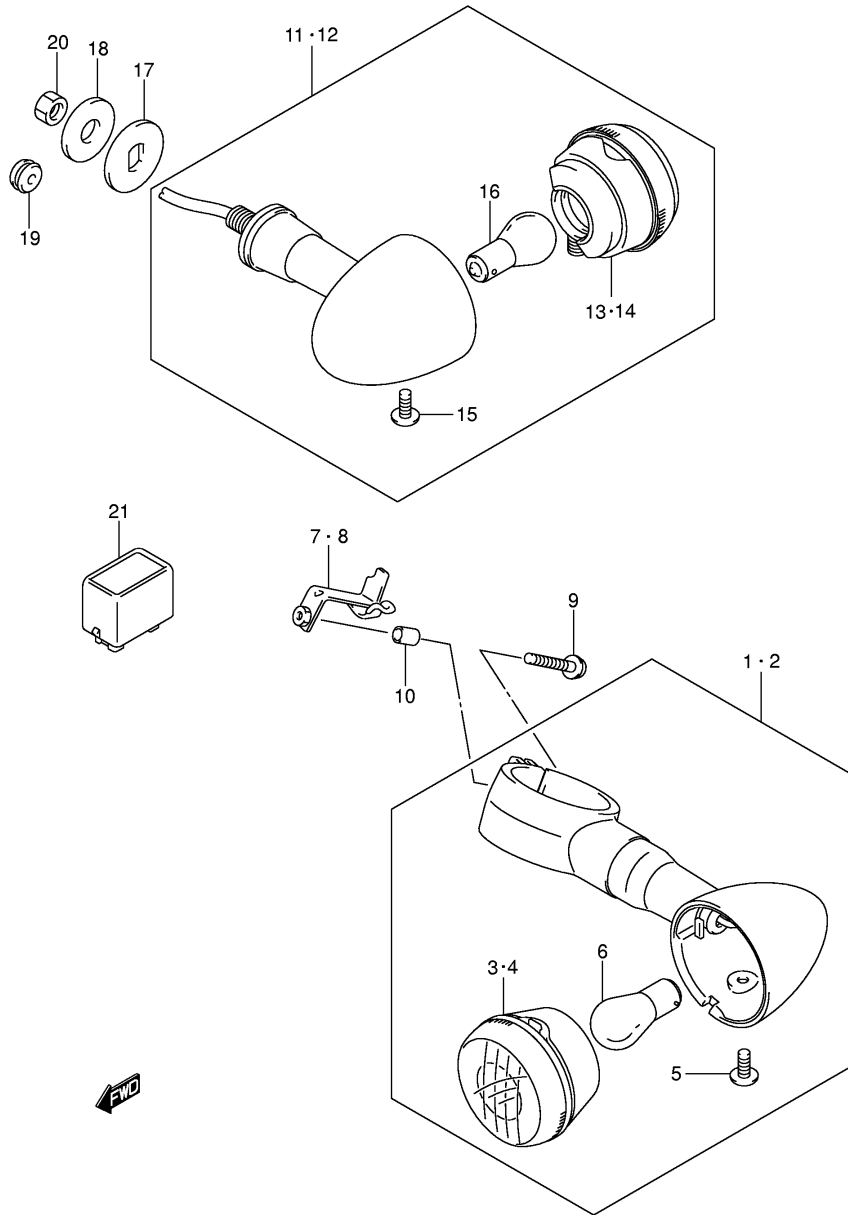
Ref No	Part No	Description
2	34150-39G00	Case Assy, Upper
3	34124-39G00	• . Switch, Rubber
4	34111-39G00	Case Assy, Lower
4a	34955-33E00	• . Cushion, Meter
5	34188-39G00	Attachment, Rubber
6	34383-35F00	Screw (3x16)
7	03541-0412A	Screw (4x12)
8	34176-19F20	Clamp
9	94484-24F00	Nut, Spring
10	34149-18G00	Screw, Speedometer
11	34162-39G00	Bracket, Speedometer
12	02162-0612B	Screw, Bracket
13	36380-39G10	Box Assy, Pilot Lamp
14	36381-39G10	• . Case Unit
15	03241-0512A	• . Screw
16	36386-39G00	• . Bracket
17	03511-0512B	Screw, Pilot Box
18	34938-39G00	Guide
19	34990-39G00	Sensor, Speed
20	09286-44001	• . Seal
21	34983-27G00	• . Magnet
22	09407-14407	Clamp (l:145)
23	09403-06410	Clip, Sensor Lead

FIG.30



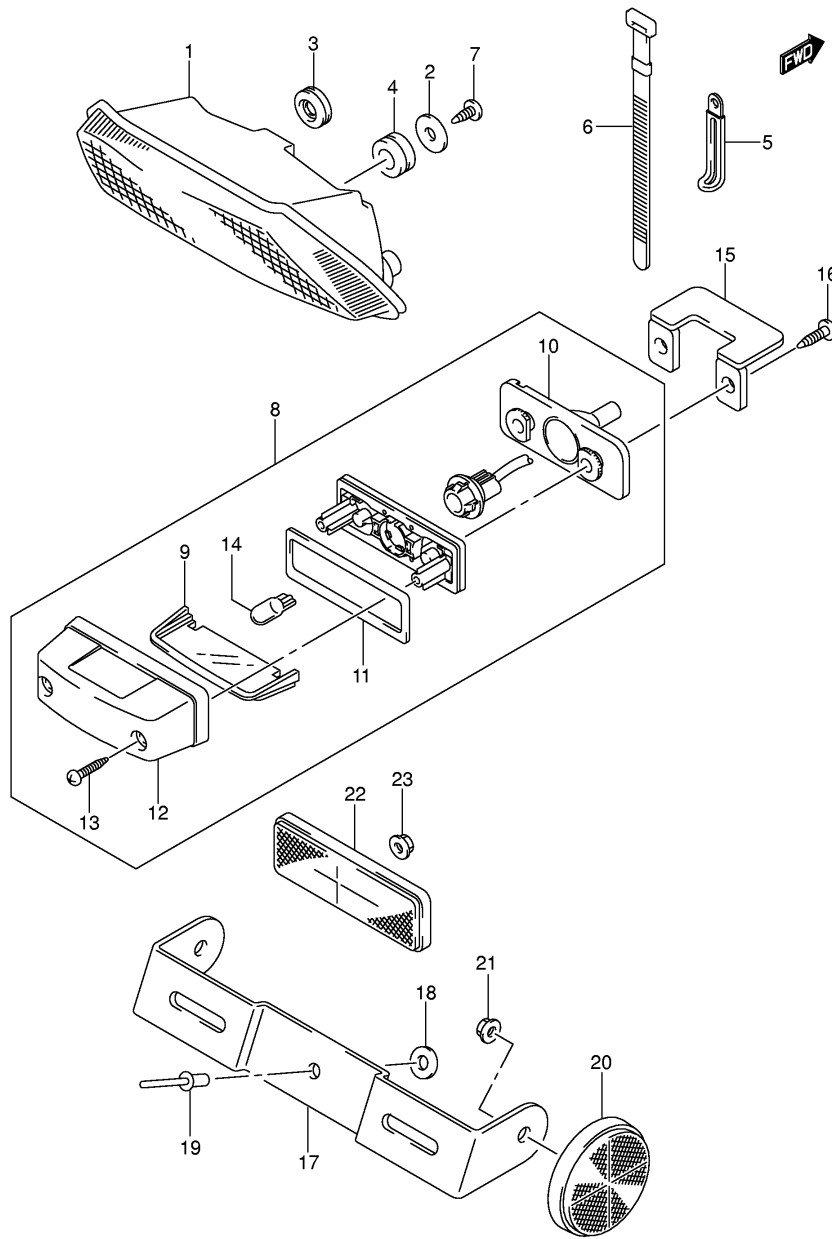
Ref No	Part No	Description
1	35100-39G30-999	Headlamp Assy
2	35121-39G30	. Unit
3	35173-13E10	. Cover, Socket
4	35111-39G20	. Rim
5	35136-38A00	. Screw
6	35139-45230	. Cushion
7	35136-39G20	. Screw
8	35139-38A60	. Cushion
9	35155-38A60	. Nut
10	35151-39G30	. Screw, Adjuster
11	35154-39G20	. Spring, Adjuster
12	35152-45600	. Nut
13	35130-39G30	. Bracket
14	09471-12185	Bulb (12v60/55w,h4)
15	33652-26E00	Cushion, Headlamp
16	09139-05081	Screw
17	35950-14A00	Reflex Reflector Assy, Fr Side
18	09119-06104	Bolt

FIG.31



Ref No	Part No	Description
3	35610-38AA0	• . Lens
3	35610-48EB0	• . Lens
4	35630-38AA0	• . Lens
4	35630-48EB0	• . Lens
5	35623-38AA0	• . Screw
7	35671-39G00	Bracket, Front, Rh
8	35681-39G00	Bracket, Front, Lh
9	09136-06082	Screw
10	09180-06121	Spacer (6.4x9.2x12)
13	35630-38AE1	• . Lens
13	35630-38AF0	• . Lens
14	35610-38AE1	• . Lens
14	35610-38AF0	• . Lens
15	35623-38AA0	• . Screw
17	35695-17C00	Spacer, Rear Turnsignal
18	09160-10501	Washer (10.5x30x2.3)
19	09308-05015	Grommet
20	08310-0010B	Nut
21	38610-03F00	Relay Assy, Turnsignal Lamp

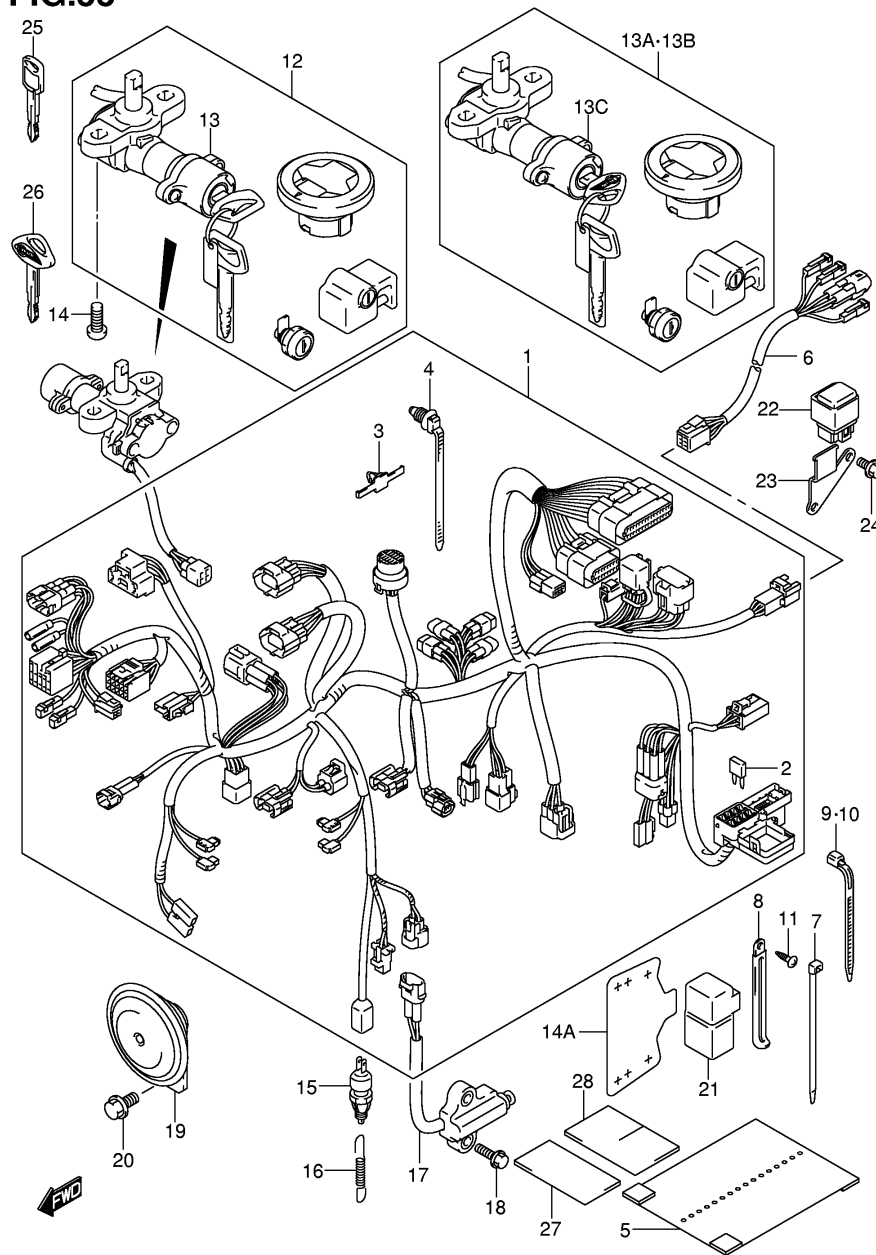
FIG.32



Ref No	Part No	Description
1	35710-39G30	Lamp Assy, Rear Comb
2	09160-05501	Washer, Rear Comb
3	09308-10017	Grommet, Rr Comb
4	09320-10049	Cushion, Rr Comb
5	09404-06429	Clamp (l:45)
6	09407-14403	Clamp (l:125)
7	03541-0512B	Screw, Rr, Comb
8	35910-16G50	Lamp Assy, License
9	35912-16G00	. . Lens
10	35916-16G10	. . Cushion
11	35913-16G00	. . Gasket
12	35917-16G00	. . Cover
13	03211-0416A	. . Screw
14	09471-12216	. . Bulb (12v5w)
15	35926-16G00	Bracket, License Lamp
16	03541-0520B	Screw
17	35927-39G30	Bracket, License Plate
18	09160-05045	Washer (5.5x18x1.0)
19	09229-04050	Rivet, License Plate
20	35970-14A20	Reflector Assy, Rr Side
21	08316-1005B	Nut
22	35970-07F00	Reflector Assy, Rr Side
23	08316-1005B	Nut

VZ800K5 E03 E28_032
 REAR COMBINATION LAMP

FIG.33



Ref No	Part No	Description
1	36610-39G30	Harness, Wiring
1	36610-39G30	Harness, Wiring
1	36610-39G80	Harness, Wiring
2	09481-10501	• . Fuse (10a)
2	09481-15501	• . Fuse (15a)
3	09407-05410	• . Clamp
4	09407-17403	• . Clamp
5	36618-15D20	Protector, Wiring Harness
6	36858-39G00	Wire, Rear Comb
7	09407-14407	Clamp (l:145)
8	09404-06433	Clamp (l:80)
8	09404-06435	Clamp (l:135)
9	09407-18402	Clamp (l:165)
10	09407-19401	Clamp (l:190)
11	03541-0410B	Screw
13a	37101-41890	Lock Set
13b	37102-41810	Lock Set
13c	37100-41F70	• . Lock Assy, Steering
14	09139-08016	Screw, Steering Lock
14a	37187-41F10	Protector, Ignition Switch
15	37740-24A00	Switch Assy, Stop Lamp
16	09443-06073	Spring, Stop Lamp
17	37840-41F00	Switch Assy, Side Stand
18	09103-06279	Bolt
19	38500-41F20	Horn Assy
20	01550-0816B	Bolt
21	38740-24X50	Relay Assy, Fuel Pump
25	37146-41F10	Key, Blank
26	37146-41FA0	Key, Blank "boulevard"
27	36611-16G00	Tape, Wiring Harness
28	36920-33C00	Tape, Wiring Harness

FIG.34

Ref No	Part No	Description
1	37200-39G50	Switch Assy, Handle Rh
2	09125-05048	• . Screw (5x16)
3	37400-39G10	Switch Assy, Handle Lh
4	09125-05048	• . Screw (5x16)
5	09407-14407	Clamp (I:145)

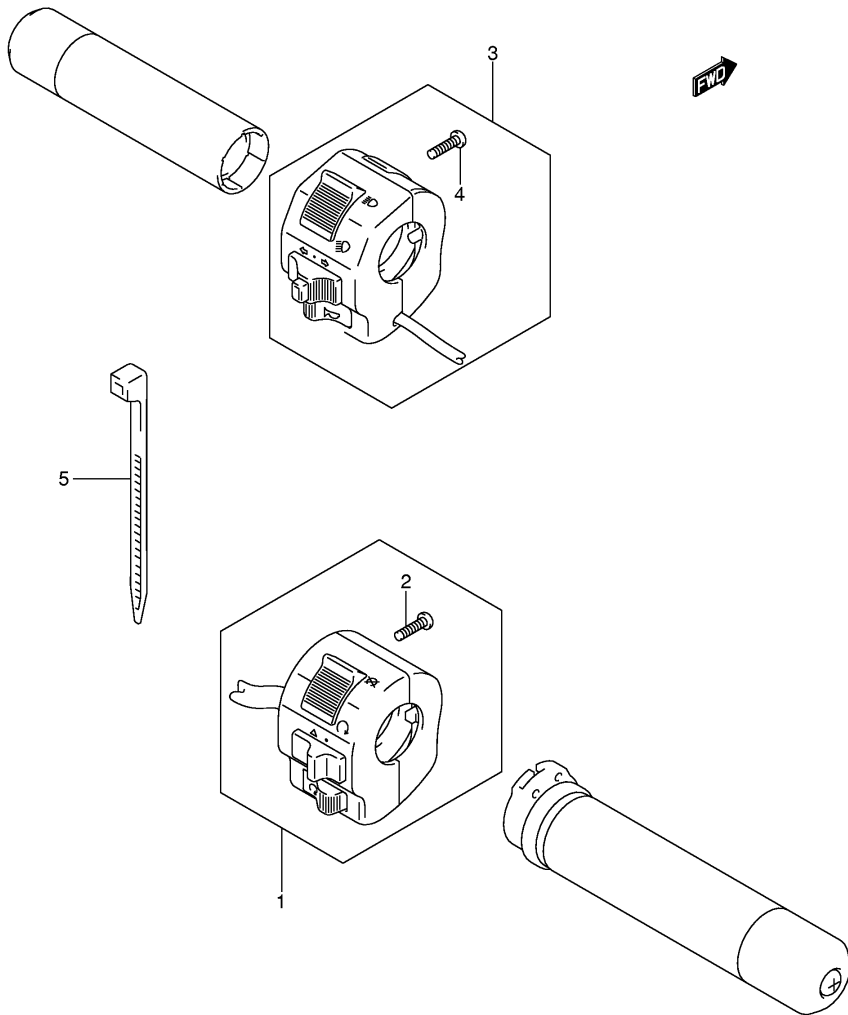
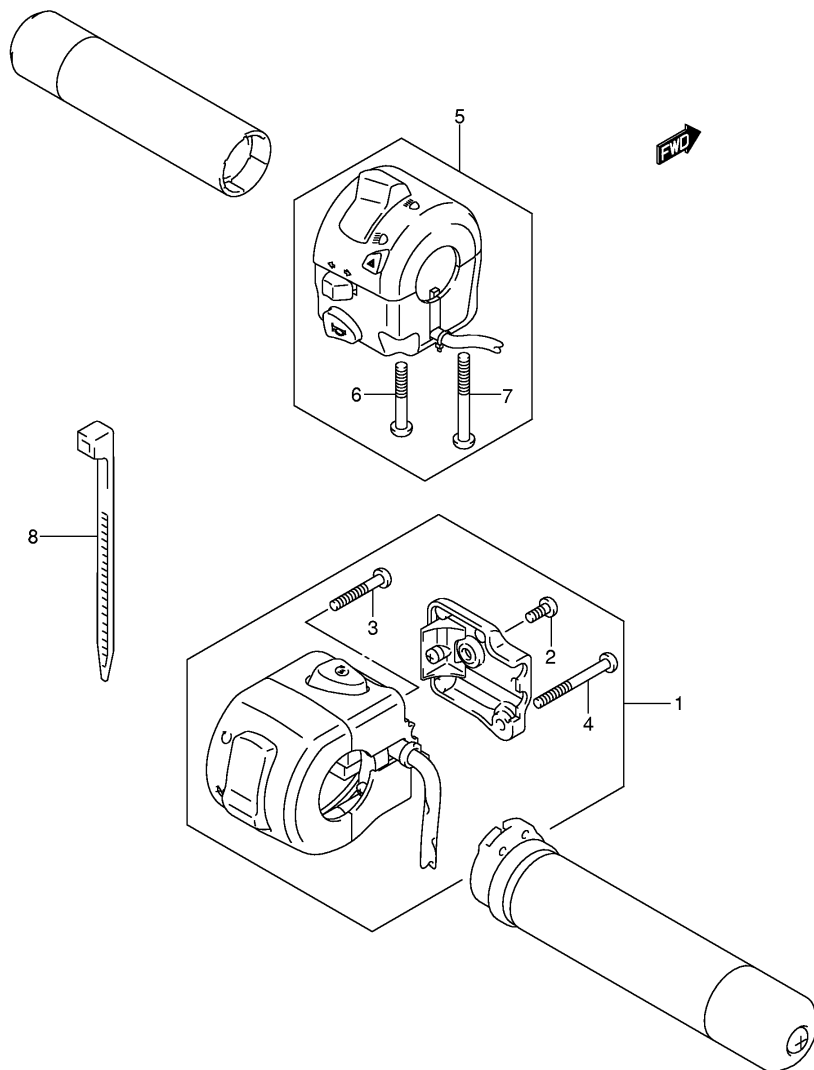
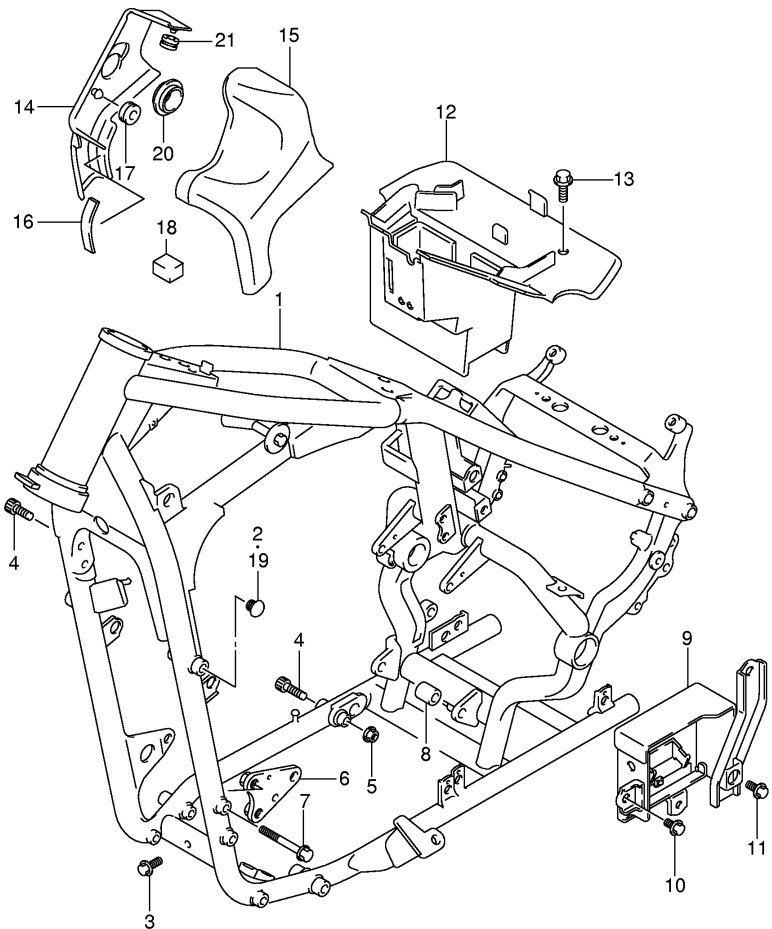


FIG.34A



Ref No	Part No	Description
1	37200-48G30-E00	Switch Assy, Handle Rh
2	02112-0510A	. . Screw
3	02112-05353	. . Screw
4	02112-05453	. . Screw
5	37400-48G10-E00	Switch Assy, Handle Lh
6	02112-0530A	. . Screw
7	02112-05453	. . Screw
8	09407-14407	Clamp (I:145)

FIG.35



Ref No	Part No	Description
1	41100-39G01-019	Frame (black)
2	09250-09001	Cap
3	01550-0816B	Bolt, Lower Bridge Front
4	07130-1035B	Bolt
5	08319-31103	Nut
6	41920-41F00	Plate, Engine Mount Lh
7	09112-08013	Bolt
8	41941-41F00	Spacer, Lower
9	41540-41F10	Holder, Electric Parts
10	01550-0612B	Bolt, Front
11	01550-0816B	Bolt, Holder
12	47410-41F01	Holder, Electric Parts
13	09113-06001	Bolt
14	47351-41F00-019	Cover, Frame Head Rh (black)
15	47361-41F00-019	Cover, Frame Head Lh (black)
16	53145-40A00	Cushion
17	09320-08018	Cushion
18	17798-39G00	Cushion, Lower
19	09250-09001	Cap, Cushion
20	47355-41F00	Cap, Head Cover Rh
21	09320-09501	Cushion, Upper

FIG.36

Ref No	Part No	Description
1	41580-39G00	Brace, Rear Frame
2	41610-41F00	Grip, Frame Handle Rh
3	41620-41F00	Grip, Frame Handle Lh
4	09139-10003	Bolt
5	95700-41820	Lock Set, Helmet
6	09139-06089	Screw

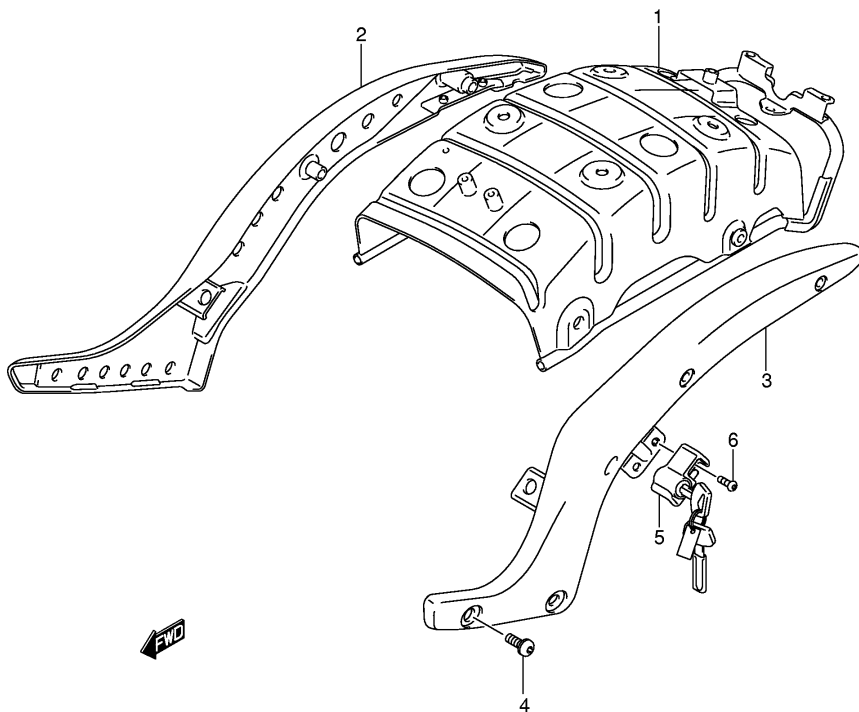
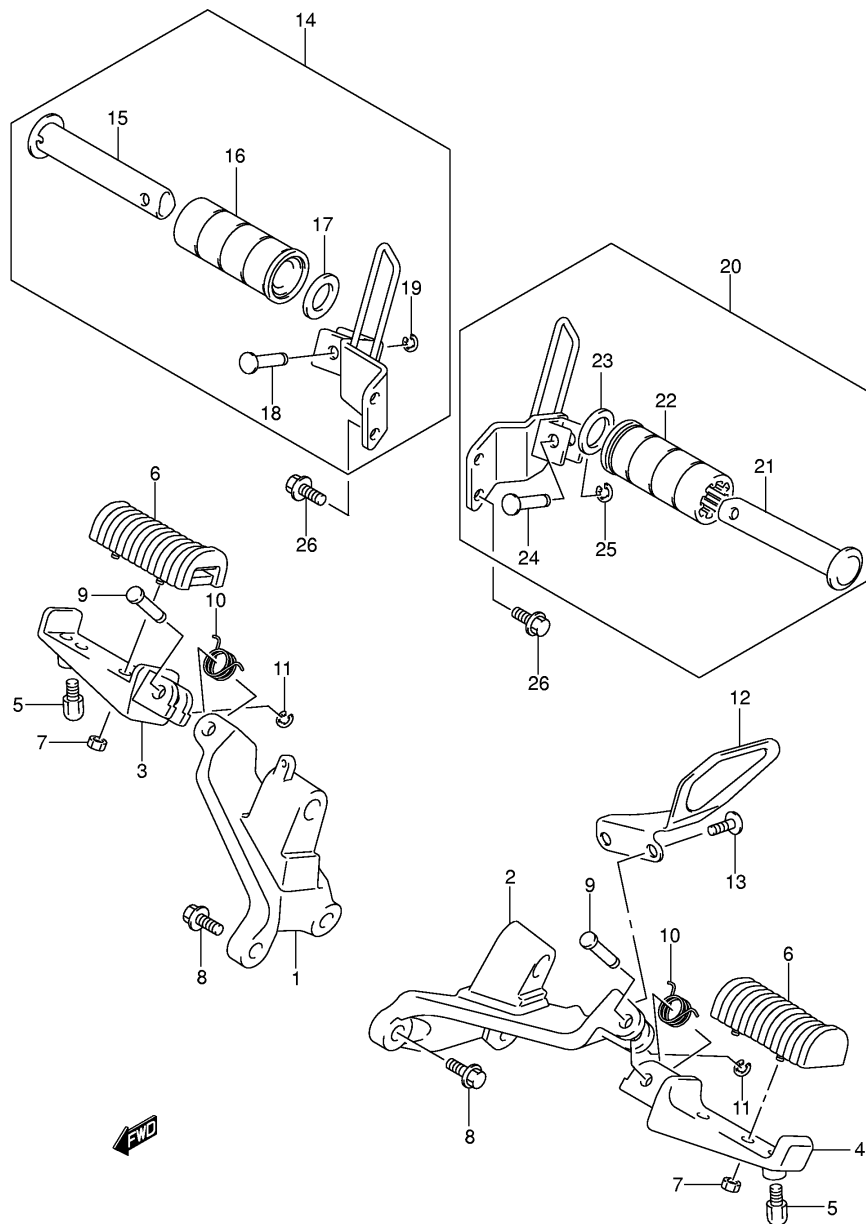


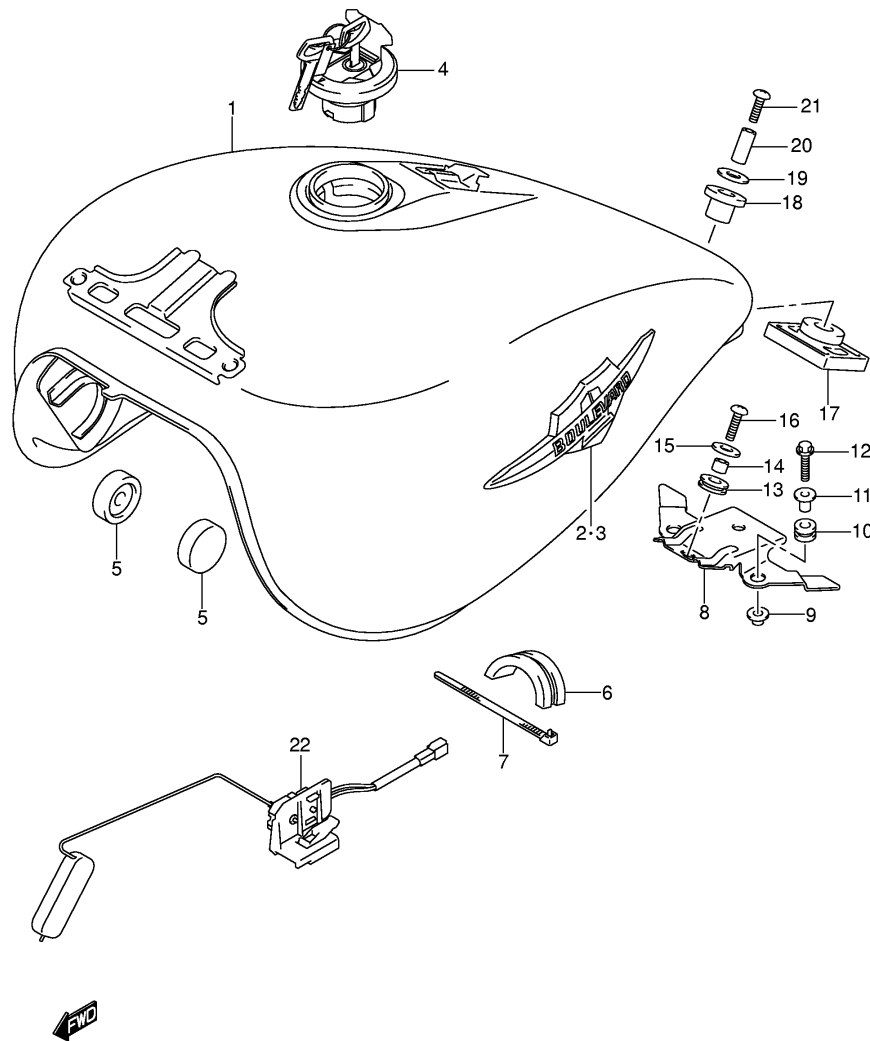
FIG.38



Ref No	Part No	Description
1	43511-41F00	Bracket, Front Footrest Rh
2	43521-41F01	Bracket, Front Footrest Lh
3	43531-41F00	Bar, Front Rh
4	43541-41F00	Bar, Front Lh
5	43576-07D01	Bolt, Bank Sensor
6	43550-41F00	Rubber, Front Footrest
7	08319-2106B	Nut
8	01580-1030B	Bolt, Bracket
9	09208-08010	Pin
10	09448-18022	Spring
11	08332-1106B	E Ring
12	43571-39G00	Guard, Front Footrest Lh
13	09139-06108	Screw
14	43600-39G00	Footrest Assy, Pillion Rh
15	43610-39G00	. . Bar
16	43612-39G00	. . Rubber
17	09160-19024	. . Washer
18	43636-25D00	. . Pin
19	08332-1104B	. . E Ring
20	43700-39G00	Footrest Assy, Pillion Lh
21	43610-39G00	. . Bar
22	43612-39G00	. . Rubber
23	09160-19024	. . Washer
24	43636-25D00	. . Pin
25	08332-1104B	. . E Ring
26	09103-08412	Bolt, Bracket

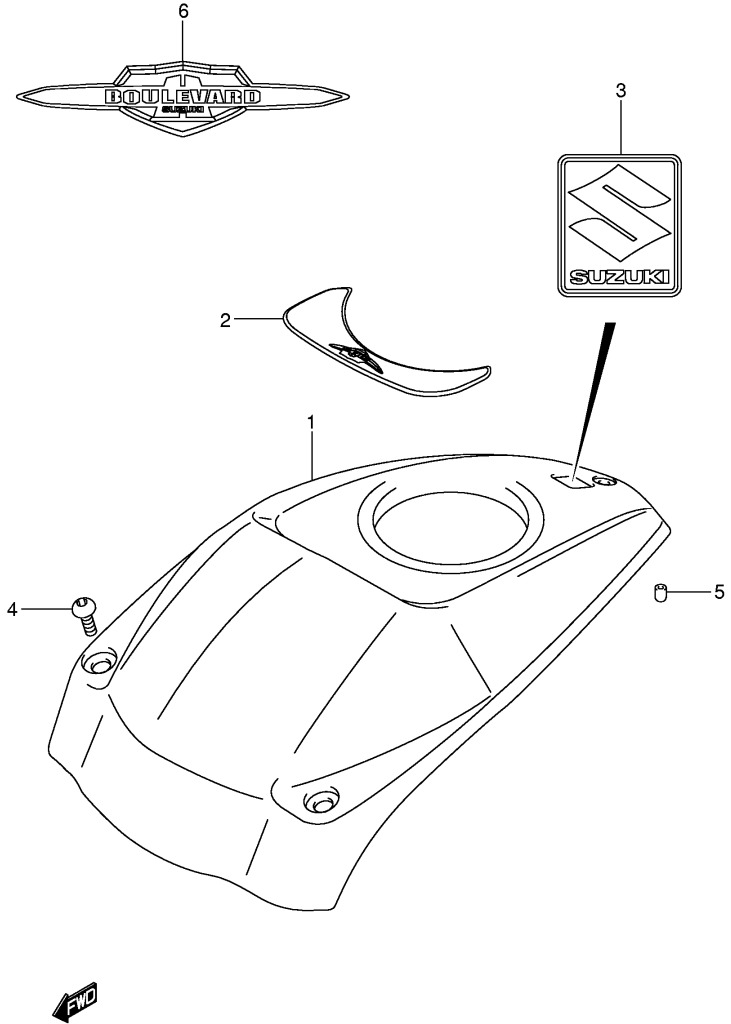
VZ800K5 E03 E28_038
 FOOTREST

FIG.39A



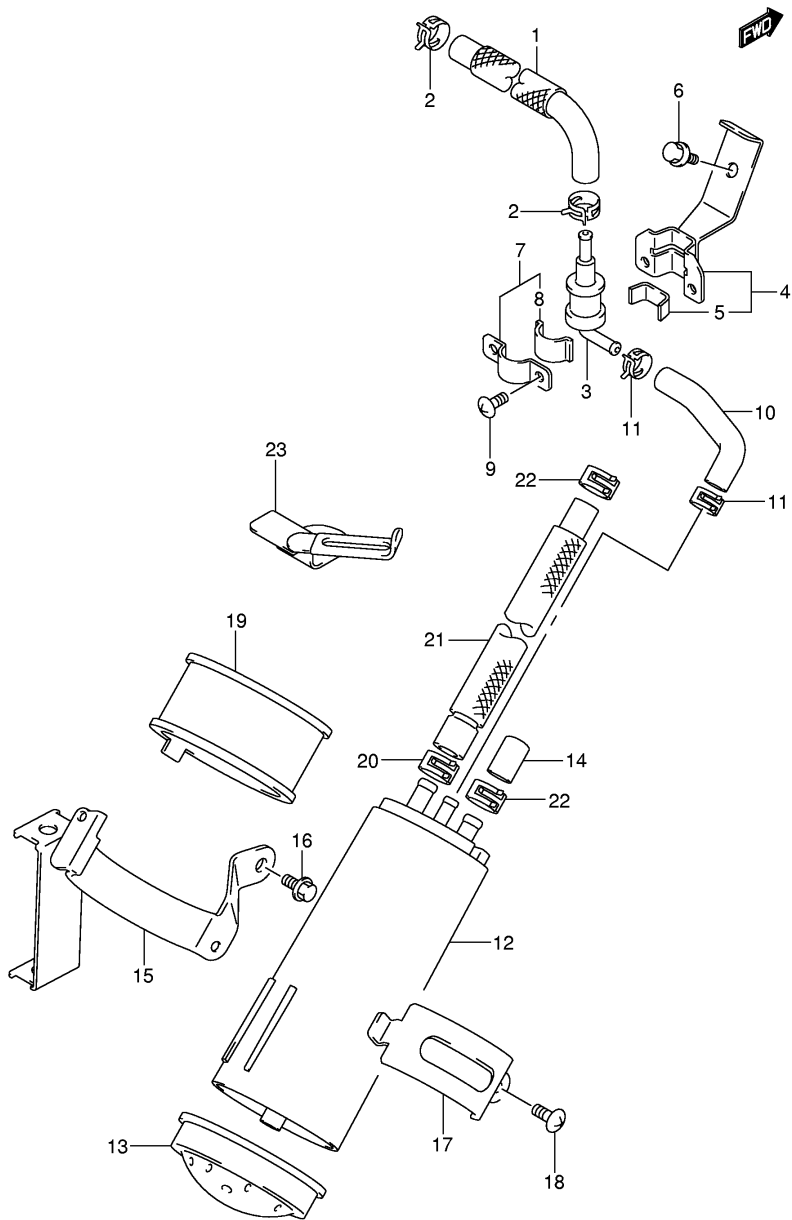
Ref No	Part No	Description
1	44100-39G30-YAY	Tank Assy, Fuel (black)
1	44100-39G50-YAY	Tank Assy, Fuel (black)
2	68111-39G00	Emblem, Rh
3	68121-39G00	Emblem, Lh
4	44200-39830	Cap Set, Fuel Tank
4	44200-39840	Cap Set, Fuel Tank
5	09329-10007	Cushion, Front
6	44541-14F10	Cushion, Side
7	09407-25402	Clamp
8	44530-39G00	Bracket, Rear
9	09169-06076	Washer, Lower
10	09320-08001	Cushion
11	09169-06070	Washer, Upper
12	02162-0625B	Bolt
13	09320-12011	Cushion, Front
14	09180-08188	Spacer
15	09160-08151	Washer
16	09106-08167	Bolt, Front
17	44542-41F00	Cushion, Rear Lower
18	44541-41F01	Cushion, Rear Upper
19	09180-08057	Spacer
20	09160-08140	Washer
21	01550-0835B	Bolt, Rear
22	34810-39G00	Gauge Assy, Fuel Level

FIG.40



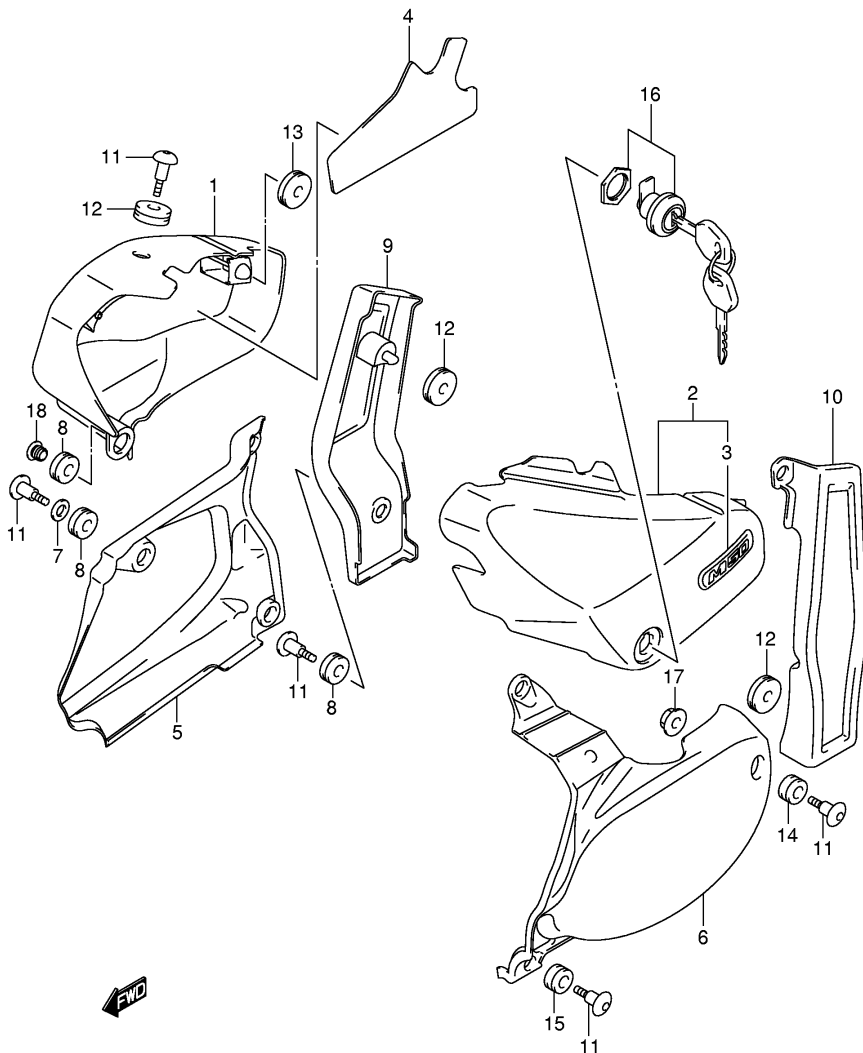
Ref No	Part No	Description
1	44290-39G00	Cover, Fuel Tank
1	44290-39G10	Cover, Fuel Tank
2	44292-39G00	• Emblem
2	44292-39G10	• Emblem
3	68281-35F00	Emblem, "s"
4	09139-05071	Screw
5	09329-03001	Cushion
6	68281-41F10	Emblem

FIG.41



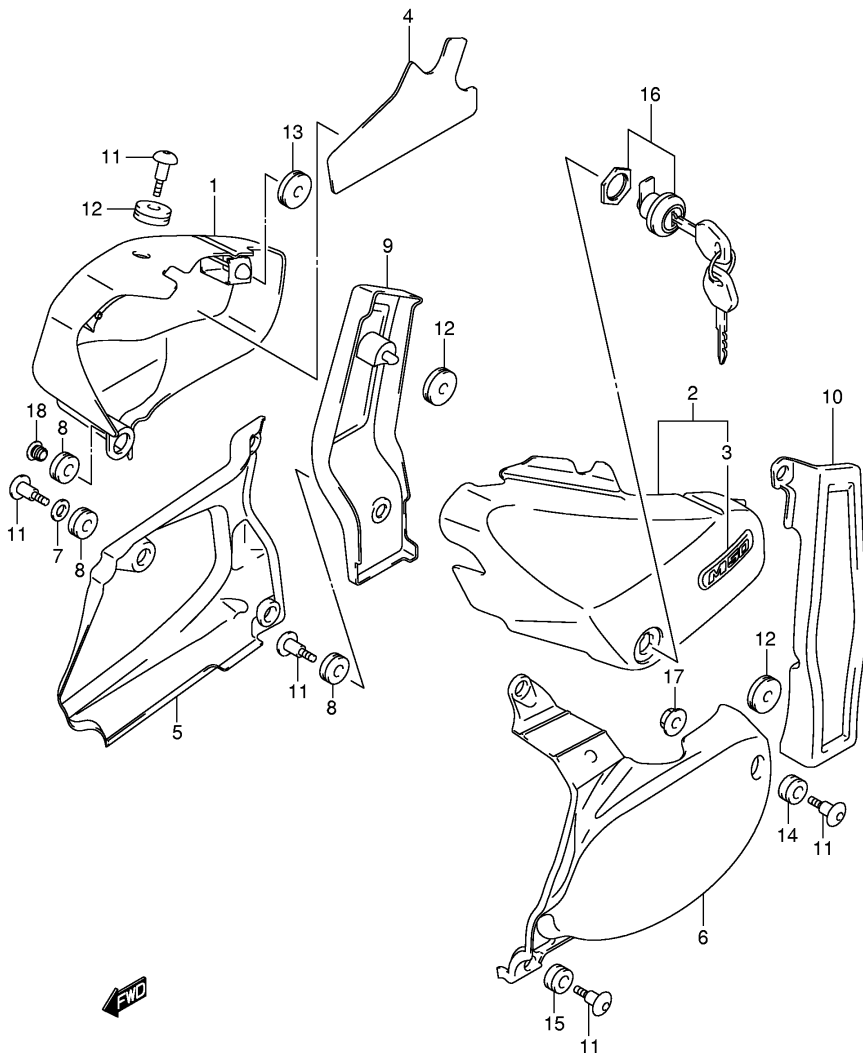
Ref No	Part No	Description
1	44434-39G00	Hose, Tank & Valve Upper
2	09401-11413	Clip
3	44240-17C00	Valve, Breather
4	44890-41F00	Bracket, Breather Valve
5	44894-24A00	• Cushion
6	01550-0612B	Bolt, Bracket
7	44892-24A00	Plate, Breather Valve
8	44894-24A00	• Cushion
9	02142-0408B	Screw, Plate
10	44435-39G00	Hose, Valve & Canister
11	09401-11413	Clip
12	17210-26E00	Canister
13	17211-48E00	Cap, Canister
14	09251-07003	Cap, Purge
15	44880-41F10	Bracket, Canister
16	09139-06108	Bolt, Bracket
17	44882-26E00	Holder, Canister
18	02142-0610B	Screw, Holder
19	44883-26E00	Cushion, Canister
20	09401-12404	Clip
21	44436-39G00	Hose, Throttle Body
22	09401-11413	Clip
23	44480-41F00	Clamp, Evapo Hose

FIG.42



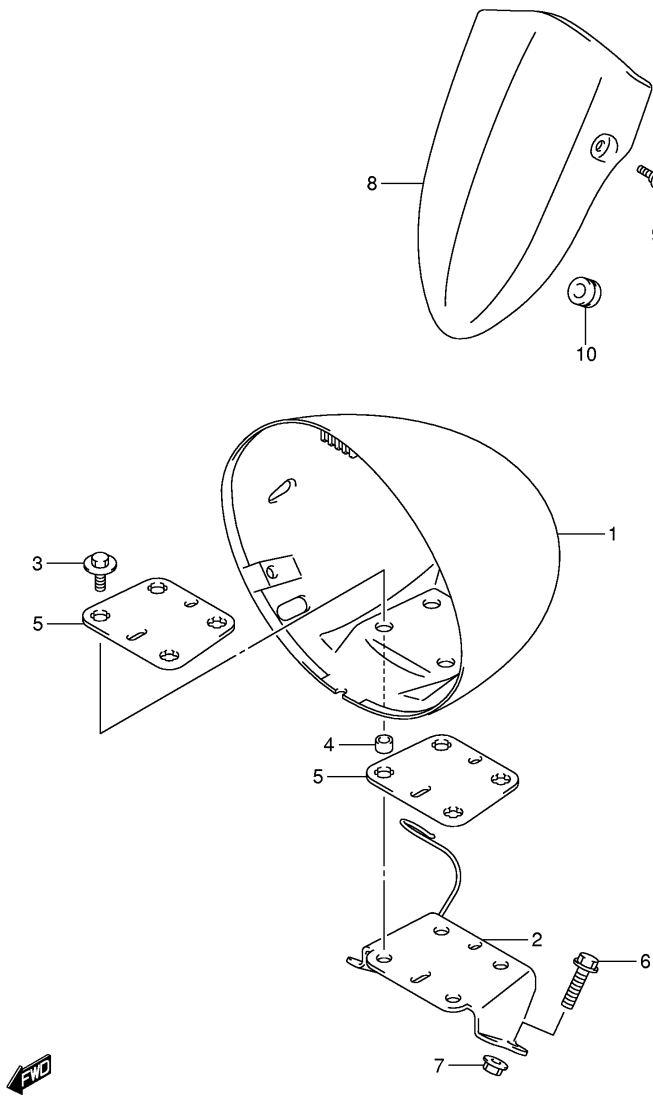
Ref No	Part No	Description
1	47110-39G00-YAY	Cover, Frame Rh (black)
1	47110-39G00-YU7	Cover, Frame Rh (red)
1	47110-39G00-YBA	Cover, Frame Rh (blue)
1	47110-39G00-YC2	Covre, Frame Rh (blue)
1	47110-39G00-YHG	Cover, Frame Rh (gray)
1	47110-39G00-YLD	Cover, Frame Rh (black)
1	47110-39G10-YAY	Cover, Frame Rh (black)
2	47210-39G00-YAY	Cover, Frame Lh (black)
3	68131-39G00	• Emblem, M50
4	47166-41F00	Shield, Frame Cover Rh
5	47130-41F10	Cover, Side Lower Rh
6	47231-41F10	Cover, Side Lower Lh
7	09160-10123	Washer
8	09320-08021	Cushion
9	47141-41F01-019	Cover, Side Rear Rh (black)
10	47241-41F00-019	Cover, Side Rear Lh (black)
11	09139-06126	Screw
12	09320-08018	Cushion
13	09320-08028	Cushion Box Rear
14	09320-09501	Cushion
15	09320-09045	Cushion Box Front
16	95700-07860	Lock Set, Fuel Lid
17	08316-1006B	Nut, Side Lower Lh
18	09250-09001	Cap

FIG.42A



Ref No	Part No	Description
1	47110-39G00-YHG	Cover, Frame Rh (gray)
1	47110-39G00-YAY	Cover, Frame Rh (black)
1	47110-39G10-YAY	Cover, Frame Rh (black)
2	47210-39G00-YAY	Cover, Frame Lh (black)
3	68131-39G00	• Emblem, M50
4	47166-41F00	Shield, Frame Cover Rh
5	47130-41F10	Cover, Side Lower Rh
6	47231-41F10	Cover, Side Lower Lh
7	09160-10123	Washer
8	09320-08021	Cushion
9	47141-41F01-019	Cover, Side Rear Rh (black)
10	47241-41F00-019	Cover, Side Rear Lh (black)
11	09139-06126	Screw
12	09320-08018	Cushion
13	09320-08028	Cushion Box Rear
14	09320-09501	Cushion
15	09320-09045	Cushion Box Front
16	95700-07860	Lock Set, Fuel Lid
17	08316-1006B	Nut, Side Lower Lh
18	09250-09001	Cap

FIG.43



Ref No	Part No	Description
1	51800-39G00	Housing, Headlamp
2	51850-39G00	Bracket
3	09116-06115	Bolt, Housing
4	09180-06106	Spacer
5	51813-39G00	Cushion
6	09103-08413	Bolt, Bracket
7	08319-3108B	Nut
8	51812-39G01	Cover, Meter
9	09139-05071	Screw
10	09320-06016	Cushion

FIG.44

Ref No	Part No	Description
1	53110-39G00-YAY	Fender, Front (black)
2	09139-06149	Screw
3	53121-39G10	Washer

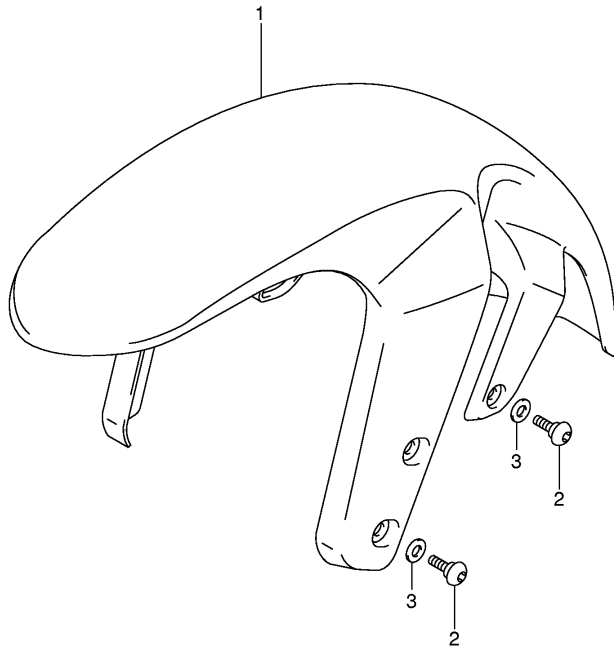
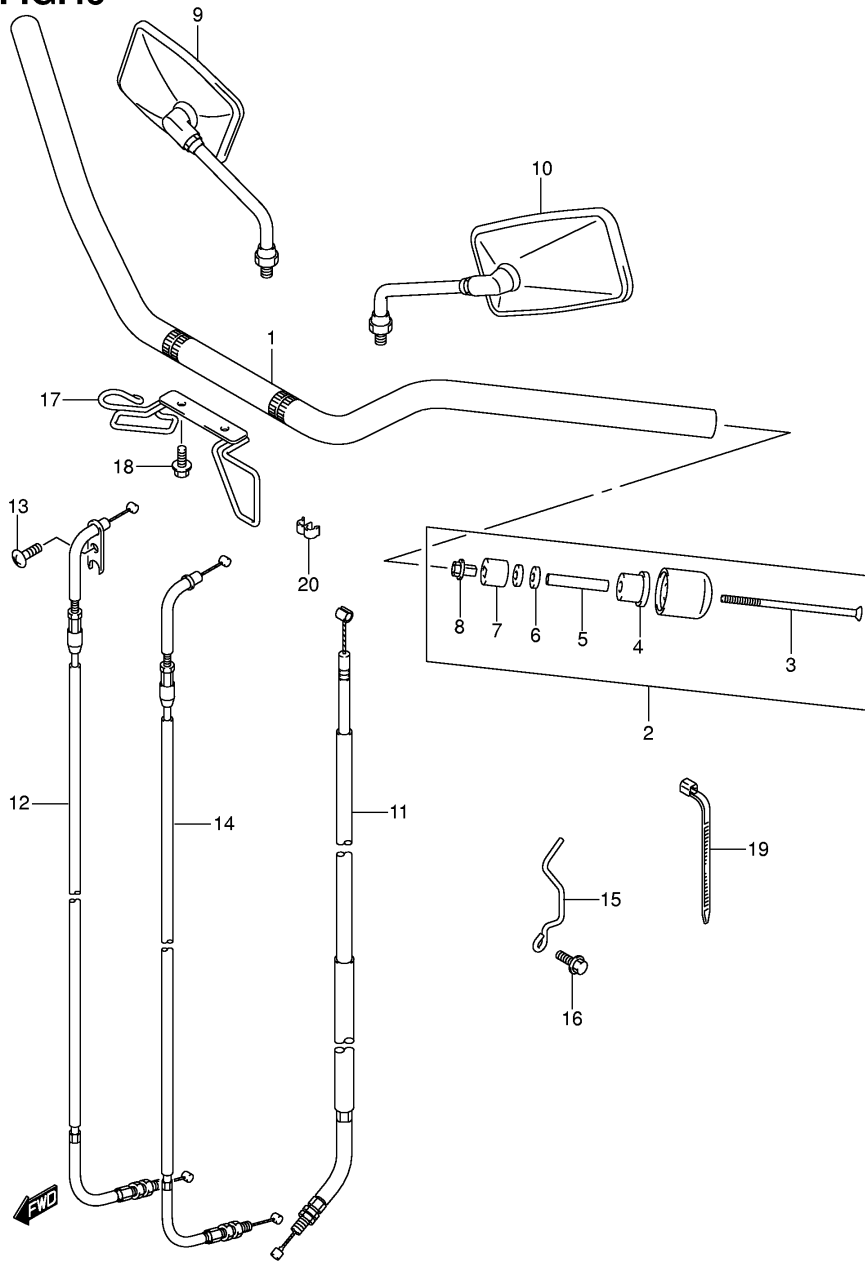


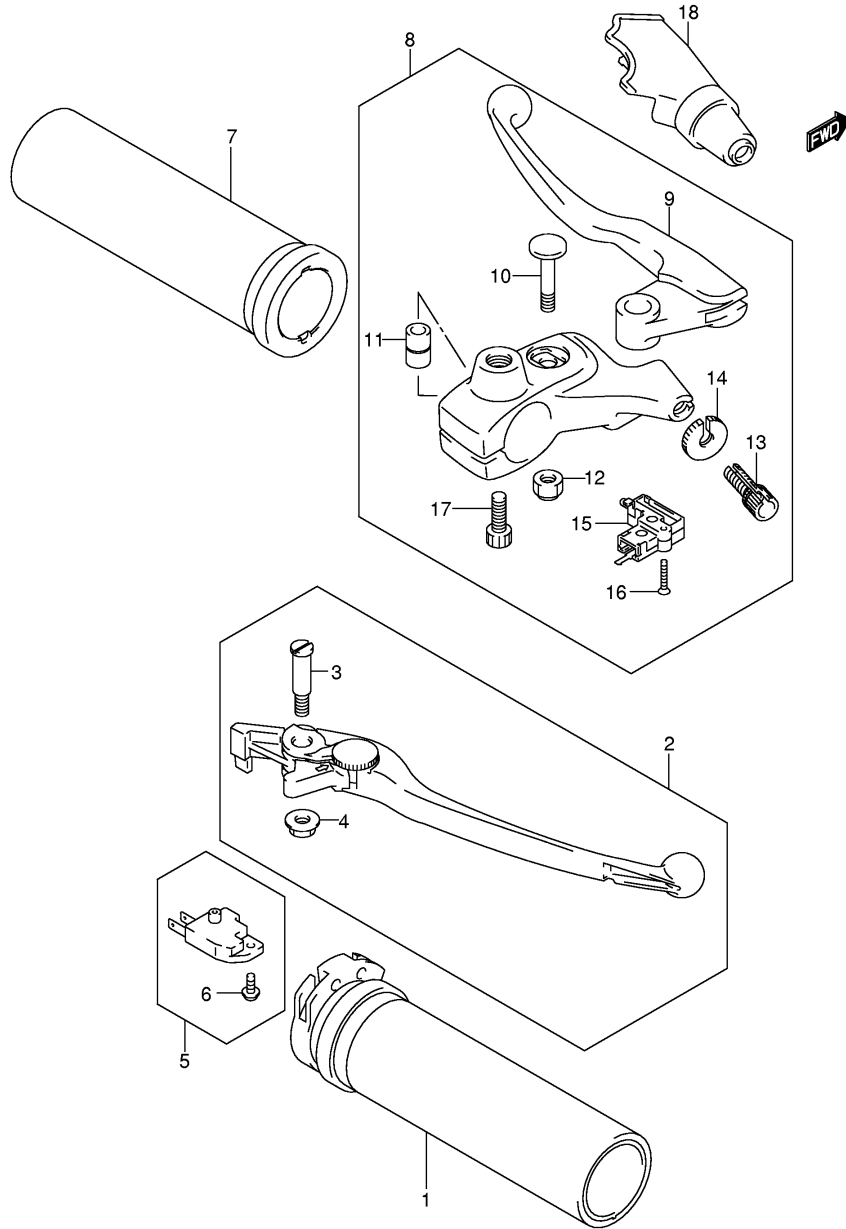
FIG.45



Ref No	Part No	Description
1	56111-39G10	Handlebar
2	56200-10890	Balancer Set, Handlebar
3	09127-06017	• Screw
4	56272-26D01	• Expander, Outer
5	56276-17D00	• Spacer
6	09160-06131	• Washer
7	56272-10G10	• Expander, Inner
8	56273-10G00	• Nut
9	56500-45C51	Mirror Assy, Rear View Rh
10	56600-45C51	Mirror Assy, Rear View Lh
11	58200-39G10	Cable Assy, Clutch
12	58300-39G20	Cable Assy, Throttle
13	02142-05087	Screw, Case
14	58300-39G30	Cable Assy, Throttle No.2
15	58626-39G10	Guide, Throttle Cable
16	01550-0616B	Bolt
17	58620-39G00	Guide, Cable
18	01550-0616B	Bolt
19	09407-19401	Clamp (l:190)
19	09407-25401	Clamp (l:235)
20	09408-00244	Clip

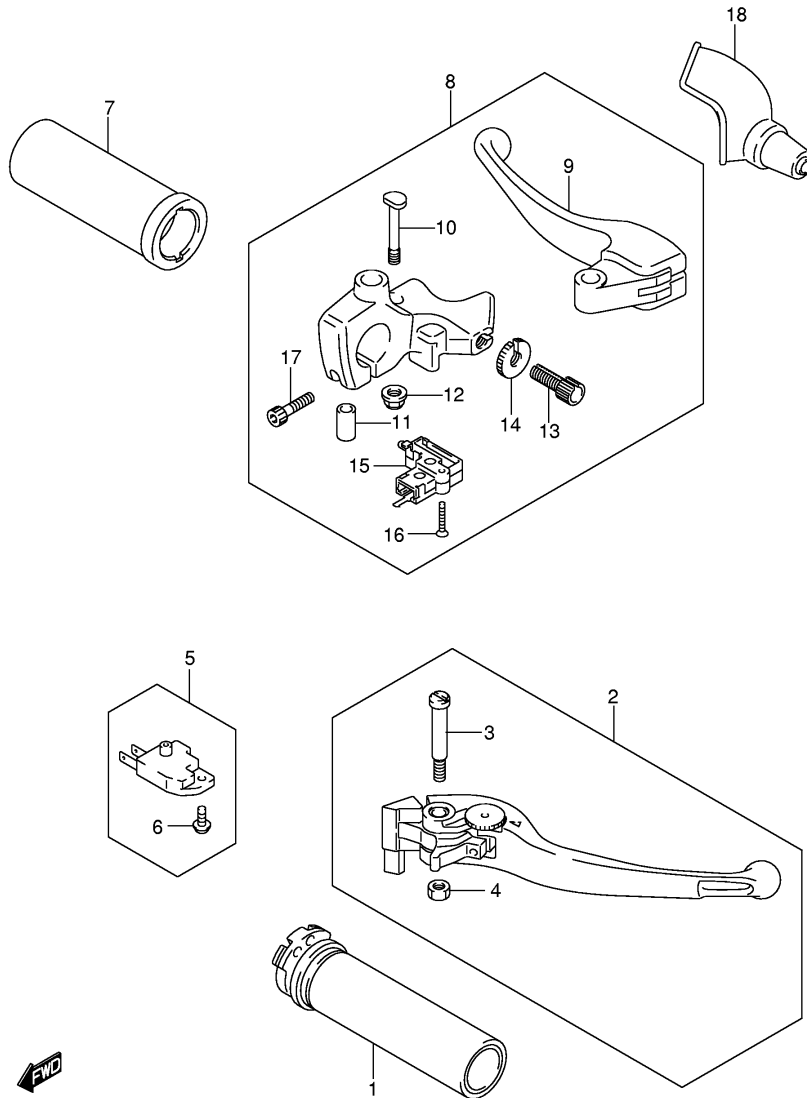
VZ800K5 E03 E28_045
 HANDLE BAR

FIG.46



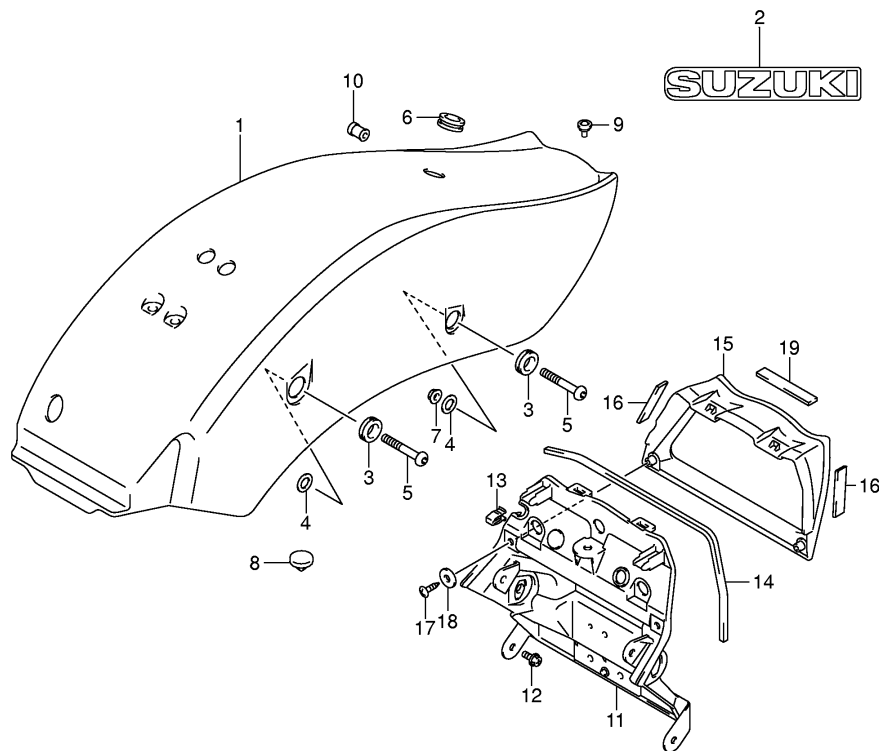
Ref No	Part No	Description
1	57110-26D00	Grip, Throttle
2	57300-41F10	Lever Assy, Brake
3	57431-48E00	• Bolt, Pivot
4	08316-10063	• Nut
5	57460-17C11	Switch Assy, Stop
6	57465-17C00	• Screw
7	57210-26D00	Grip, Lh
8	57500-24B01	Lever Assy, Clutch
9	57620-24B01	• Lever, Clutch
10	57531-24B00	• Bolt, Clutch Lever
11	57623-24B00	• Spacer, Clutch Lever
12	08319-21068	• Nut
13	57441-45C00	• Adjuster, Wire
14	57442-45C00	• Nut, Lock
15	57560-05A00	• Switch, Clutch
16	02112-03205	• Screw
17	07130-06207	• Bolt
18	57541-39G00	Cover, Clutch Lever

FIG.46A



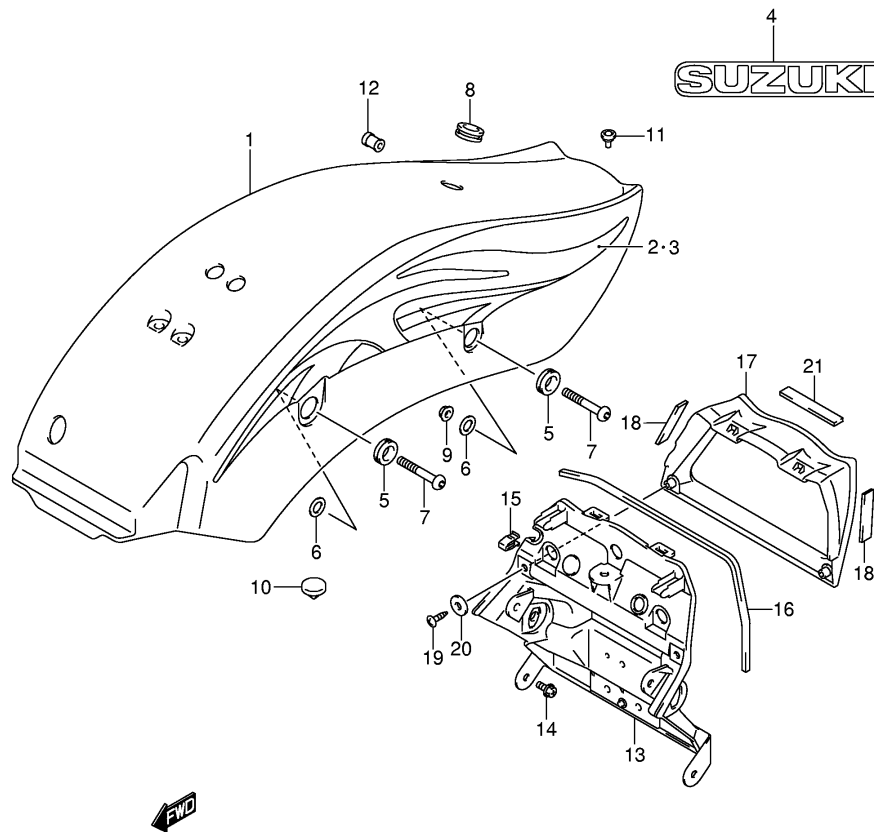
Ref No	Part No	Description
1	57110-26D00	Grip, Throttle
2	57300-48G00	Lever Assy, Brake
3	57431-48G00	• Bolt, Pivot
4	08319-21068	• Nut
5	57460-17C11	Switch Assy, Stop
6	57465-17C00	• Screw
7	57210-26D00	Grip, Lh
8	57500-48G00	Lever Assy, Clutch
9	57621-48G00	• Lever, Clutch
10	57531-48G00	• Bolt, Pivot
11	57623-48G00	• Spacer
12	08319-31063	• Nut
13	57441-08C00	• Adjuster, Cable
14	57442-08C00	• Nut, Lock
15	57560-05A00	• Switch, Clutch
16	02112-03205	• Screw
17	07130-06207	• Bolt, Clamp
18	57541-48G00	Cover, Clutch Lever

FIG.47



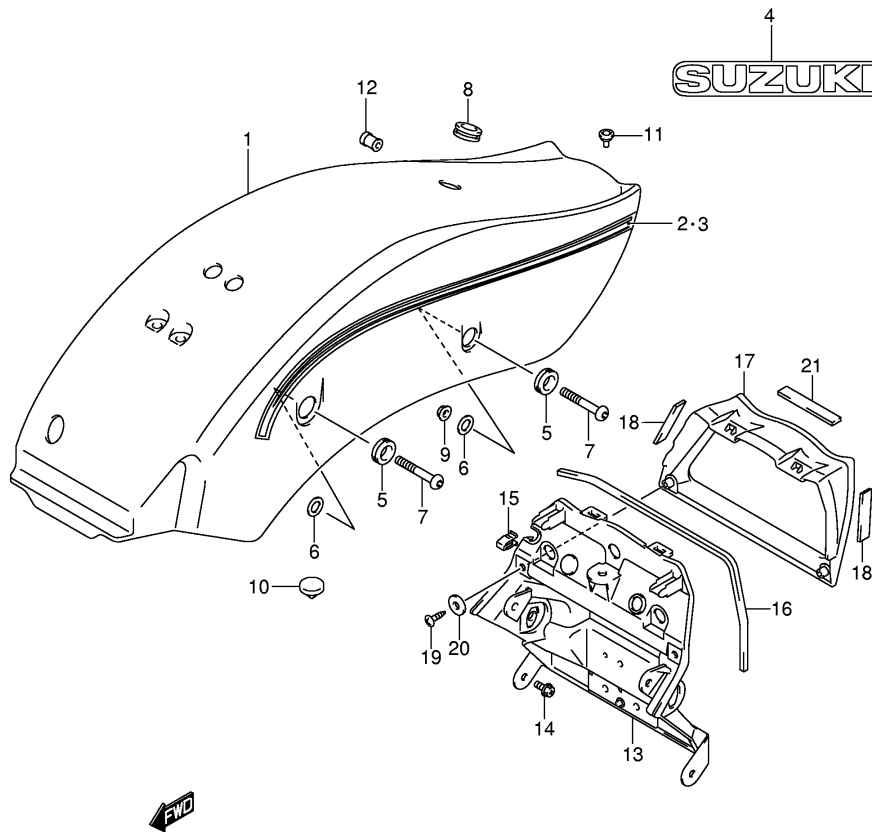
Ref No	Part No	Description
1	63110-39G00-YAY	Fender, Rear Front (black)
2	68271-34A00-YES	• . Emblem (silver)
3	47191-24F00	Cushion
4	09160-15002	Washer
5	63161-41F00	Bolt
6	09320-15008	Cushion, Pillion Seat
7	08316-1008B	Nut
8	63114-39G00	Cushion, Upper No.1
9	09321-08022	Cushion, Upper No.2
10	63119-39G00	Cushion, Grip
11	63112-39G01	Fender, Rear
12	09111-06090	Bolt
13	09409-08326	Clip
14	63116-39G00	Cushion, Rear
15	63113-39G00	Cover, Rear Fender
16	63117-39G00	Cushion, Cover
17	03541-0516B	Screw
18	08322-0106B	Washer, License
19	63118-39G00	Cushion, Fender Rear

FIG.47A



Ref No	Part No	Description
1	63110-39GA0-YHG	Fender, Rear Front (gray)
2	68175-39GA0-DLY	• . Tape, Rh
3	68176-39GA0-DLY	• . Tape, Lh
4	68271-34A00-YES	• . Emblem (silver)
5	47191-24F00	Cushion
6	09160-15002	Washer
7	63161-41F00	Bolt
8	09320-15008	Cushion, Pillion Seat
9	08316-10083	Nut
10	63114-39G00	Cushion, Upper No.1
11	09321-08022	Cushion, Upper No.2
12	63119-39G00	Cushion, Grip
13	63112-39G01	Fender, Rear
14	09111-06090	Bolt
15	09409-08326	Clip
16	63116-39G00	Cushion, Rear
17	63113-39G00	Cover, Rear Fender
18	63117-39G00	Cushion, Cover
19	03541-05163	Screw
20	08322-01063	Washer, License
21	63118-39G00	Cushion, Fender Rear

FIG.47B



Ref No	Part No	Description
1	63110-39GB0-EGP	Fender, Rear Front
1	63110-39GB0-EGR	Fender, Rear Front
2	68175-39GB0-EPF	• . Tape, Rh
2	68175-39GB0-EPG	• . Tape, Rh
3	68176-39GB0-EPF	• . Tape, Lh
3	68176-39GB0-EPG	• . Tape, Lh
4	68271-34A00-YJH	• . Emblem (gray)
4	68271-34A00-YES	• . Emblem (silver)
5	47191-24F00	Cushion
6	09160-15002	Washer
7	63161-41F00	Bolt
8	09320-15008	Cushion, Pillion Seat
9	08316-1008B	Nut
10	63114-39G00	Cushion, Upper No.1
11	09321-08022	Cushion, Upper No.2
12	63119-39G00	Cushion, Grip
13	63112-39G01	Fender, Rear
14	09111-06090	Bolt
15	09409-08326	Clip
16	63116-39G00	Cushion, Rear
17	63113-39G00	Cover, Rear Fender
18	63117-39G00	Cushion, Cover
19	03541-0516B	Screw
20	08322-0106B	Washer, License
21	63118-39G00	Cushion, Fender Rear

FIG.48

Ref No	Part No	Description
1	92211-41F00	Body, Luggage Box
2	92212-41F01	Lid
3	93676-80020	Cushion
3	33652-35F00	Cushion
4	92213-41F00	Cushion, No.2
5	63161-43E00	Bolt
6	09280-61002	Band, Tool
7	09800-21055	Tool Assy
8	09816-00050	Hexagon Spanner, 6

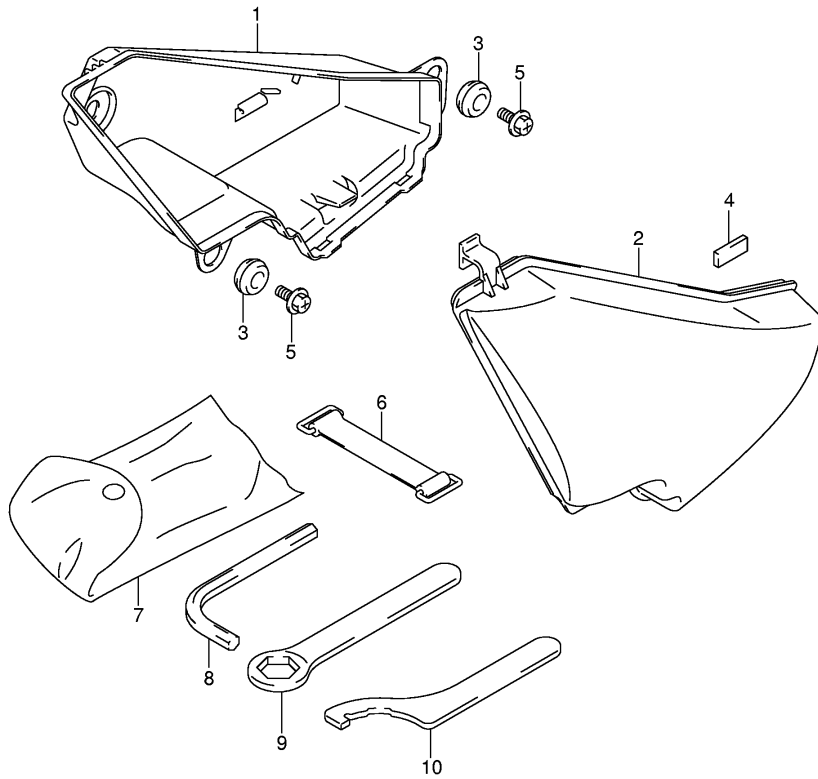
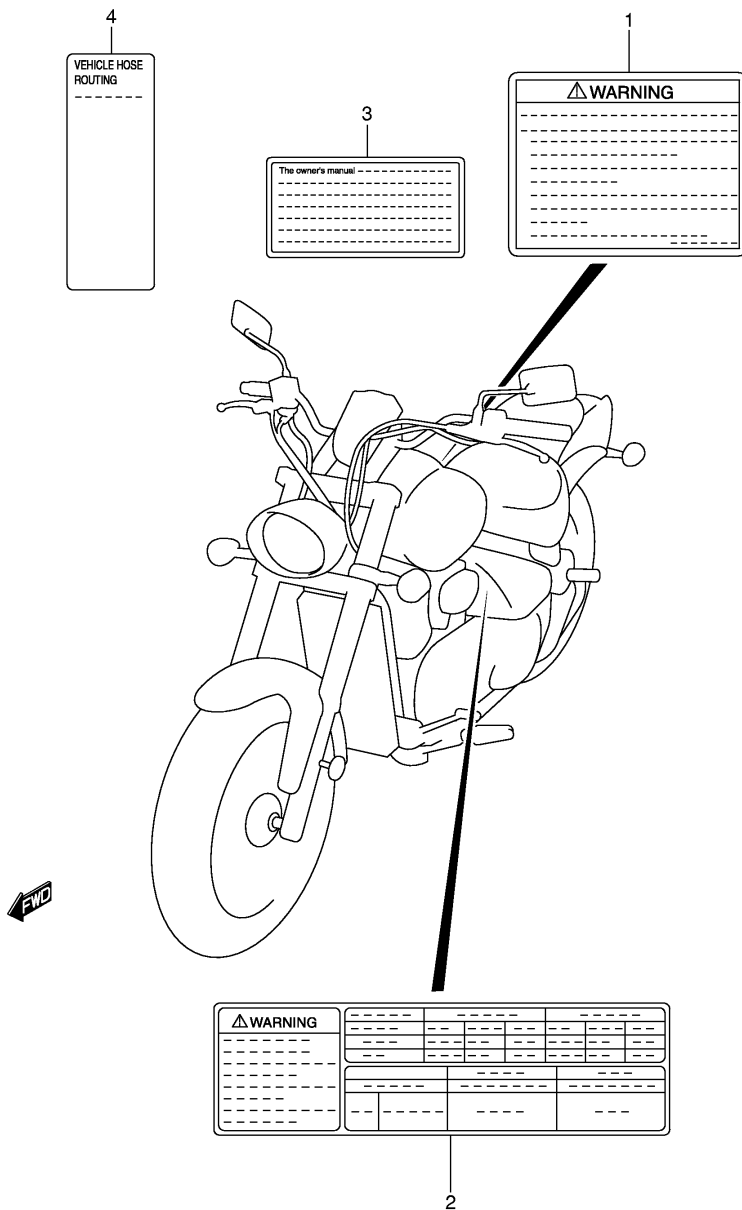
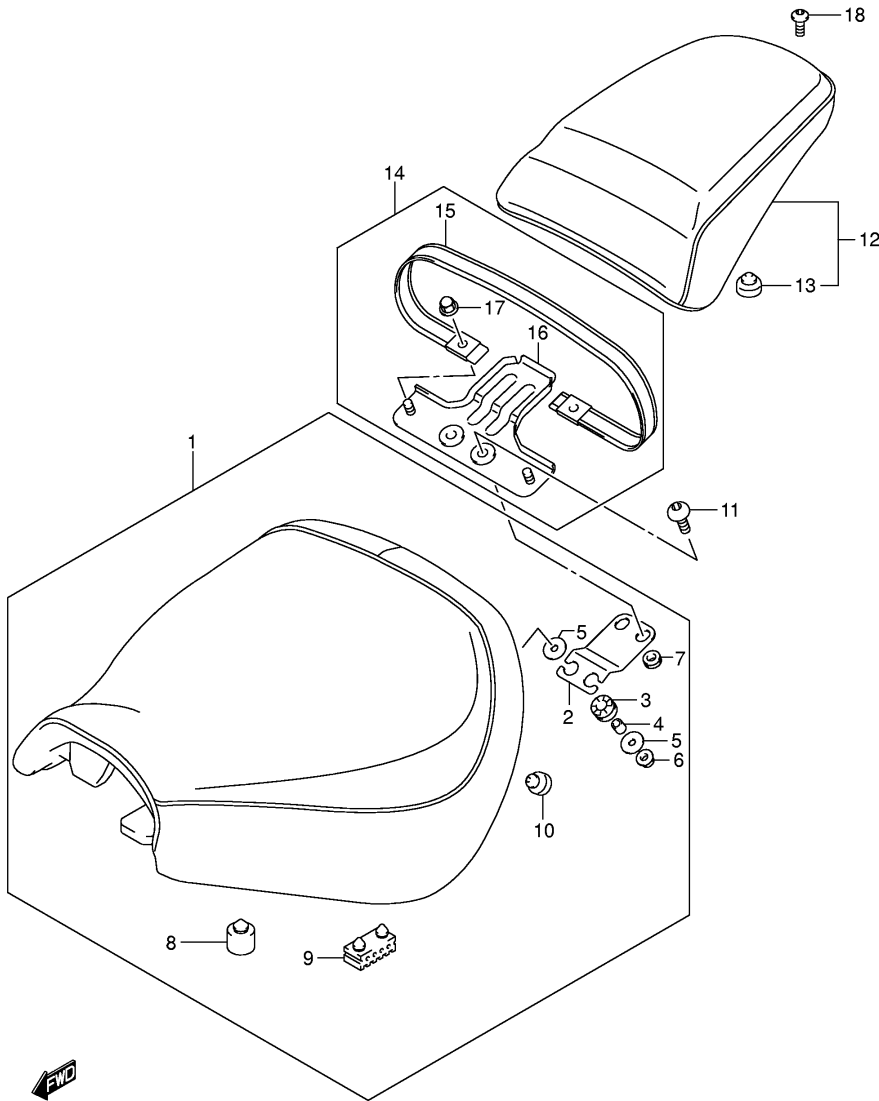


FIG.49



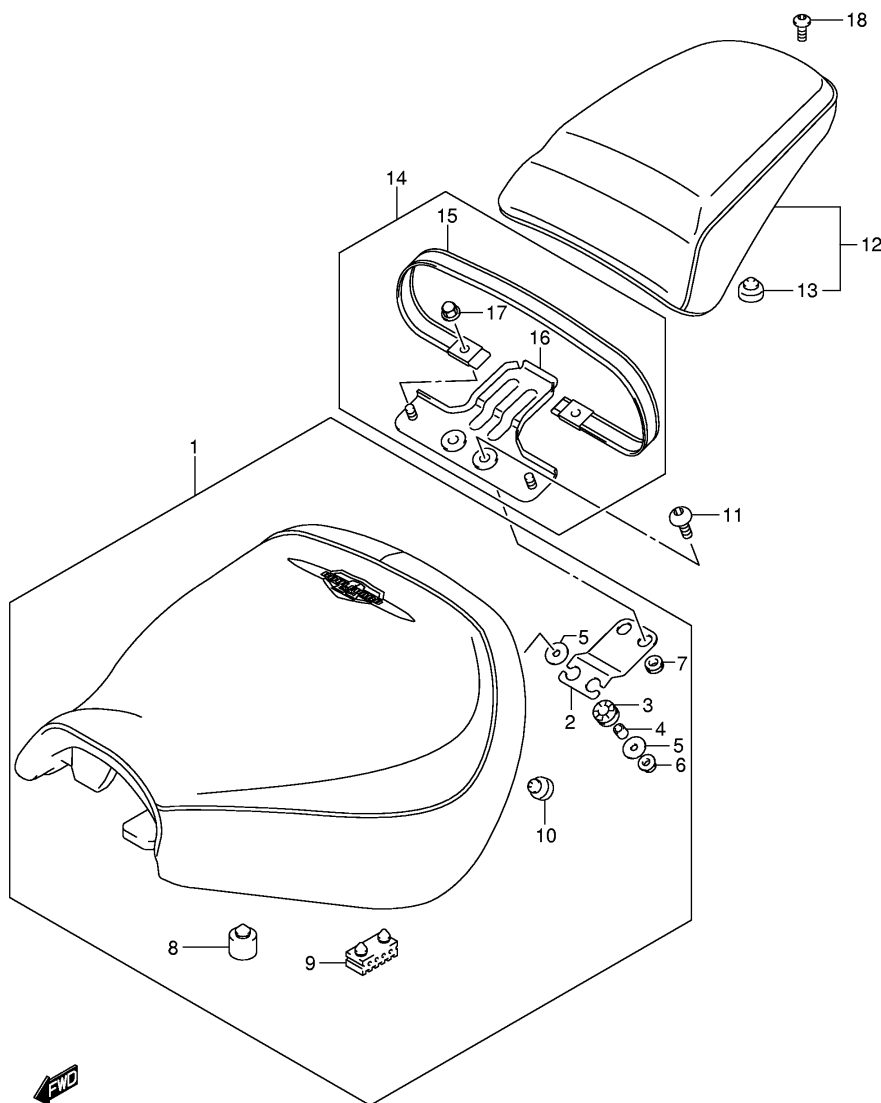
Ref No	Part No	Description
1	68319-29F00	Label, Warning
1	68319-29F10	Label, Warning
2	68332-41F60	Label, Tire Information
2	68332-41F80	Label, Tire Information
3	68353-26E02	Label, Manual Notice
4	68387-39G10	Label, Hose Routing
5	99011-39G50-01F	Manual, Owner's
5	99011-39G50-01A	Manual, Owner's
5	99011-39G51-01F	Manual, Owner's
5	99011-39G51-01A	Manual, Owner's
5	99011-39G52-01A	Manual, Owner's
5	99011-39G52-01F	Manual, Owner's
5	99011-39G53-03A	Manual, Owner's
5	99011-39G53-01A	Manual, Owner's
5	99011-39G53-01F	Manual, Owner's

FIG.50



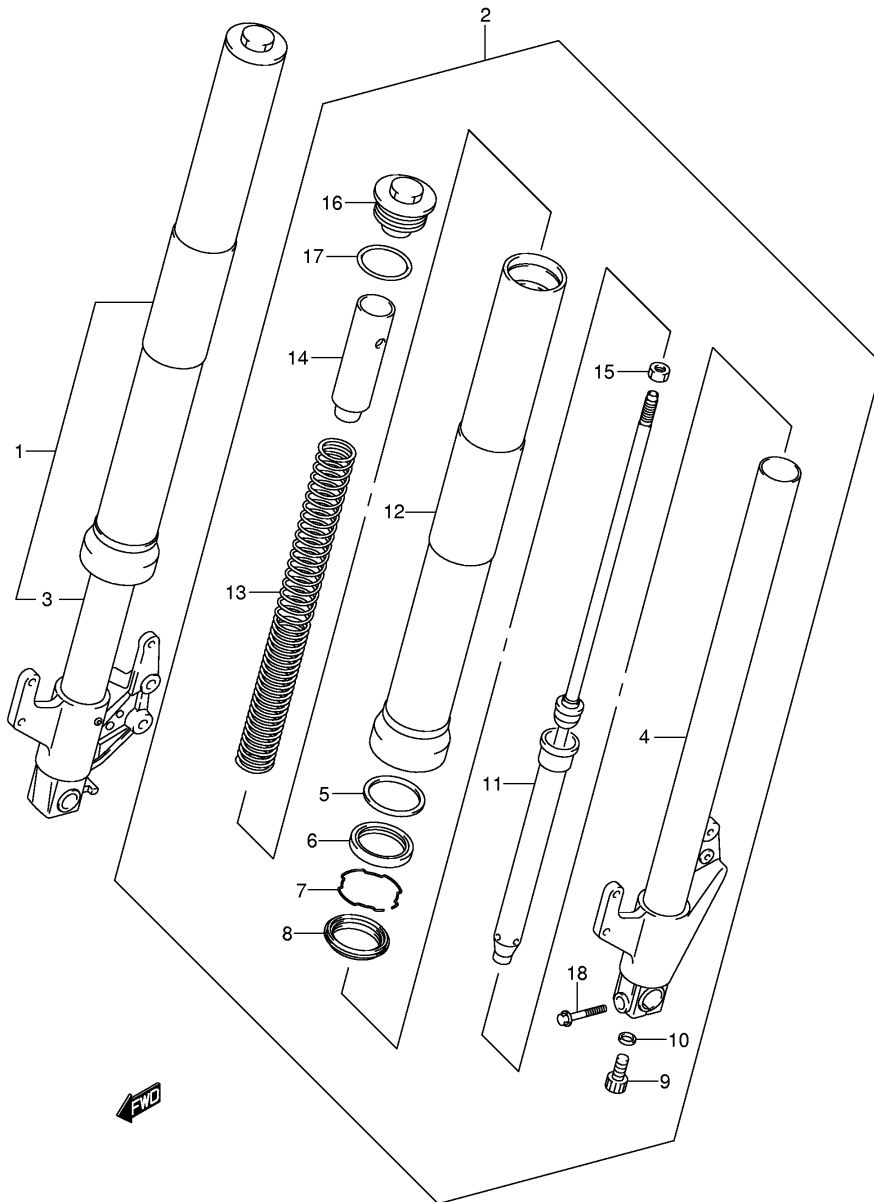
Ref No	Part No	Description
1	45100-39G00-48H	Seat Assy (black)
2	45115-39G00	. Bracket, Seat
3	45149-41F00	. Cushion
4	09180-07004	. Spacer
5	09160-06501	. Washer
6	08316-10063	. Nut
7	09320-10057	. Cushion, Seat Bracket
8	09321-10039	. Cushion, Front
9	45149-31300	. Cushion, Center
10	09321-10002	. Cushion, Rear
11	09106-06064	Bolt, Rear (8x16)
12	45300-39G00-48H	Seat Assy, Pillion (black)
13	09321-10002	. Cushion
14	45180-39G00-P21	Band Assy (black)
15	45181-39G00	. Band, Seat
16	45185-39G00	. Bracket, Seat Band
17	08313-20063	. Nut
18	09106-08140	Bolt, Rear (8x16)

FIG.50A



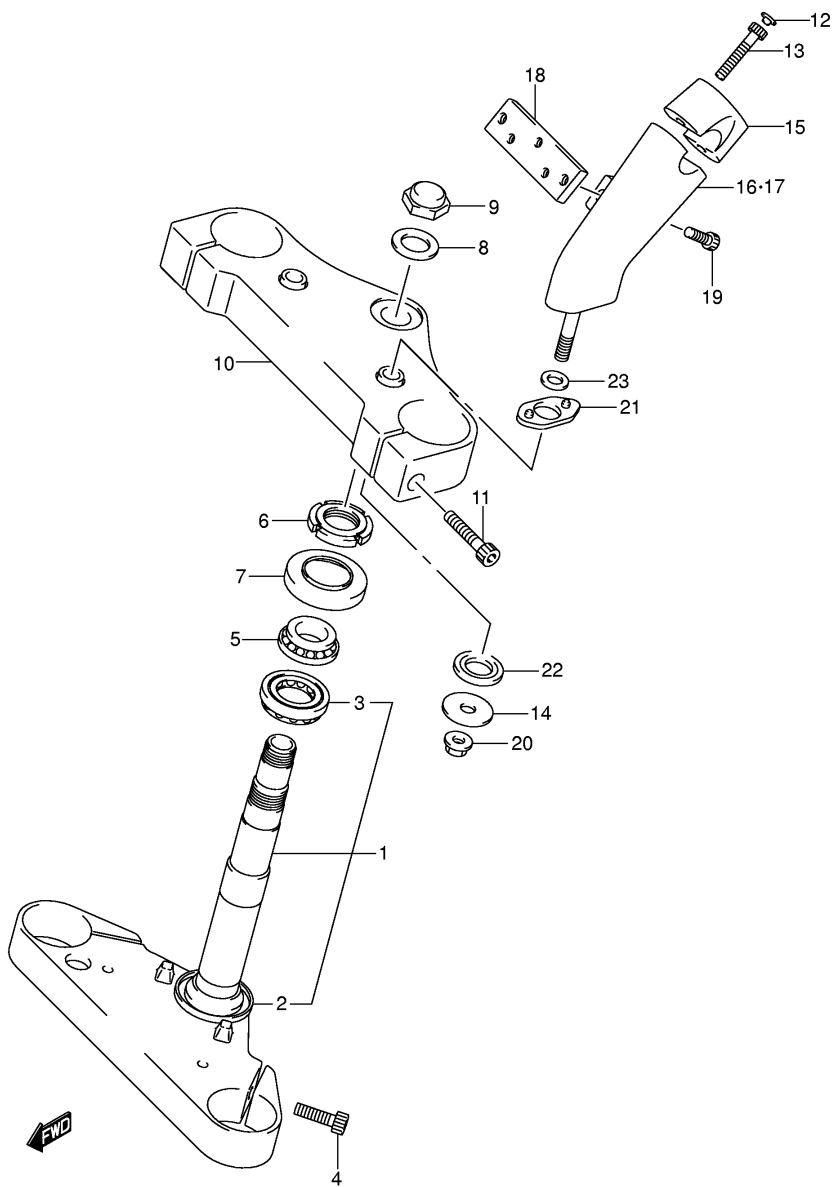
Ref No	Part No	Description
1	45100-39G10-HW9	Seat Assy (black)
2	45115-39G00	. Bracket, Seat
3	45149-41F00	. Cushion
4	09180-07004	. Spacer
5	09160-06501	. Washer
6	08316-1006A	. Nut
7	09320-10057	. Cushion, Seat Bracket
8	09321-10039	. Cushion, Front
9	45149-31300	. Cushion, Center
10	09321-10002	. Cushion, Rear
11	09106-06064	Bolt, Rear (8x16)
12	45300-39G10-HW9	Seat Assy, Pillion (black)
13	09321-10002	. Cushion
14	45180-39G00-P21	Band Assy (black)
15	45181-39G00	. Band, Seat
16	45185-39G00	. Bracket, Seat Band
17	08313-2006A	. Nut
18	09106-08140	Bolt, Rear (8x16)

FIG.51



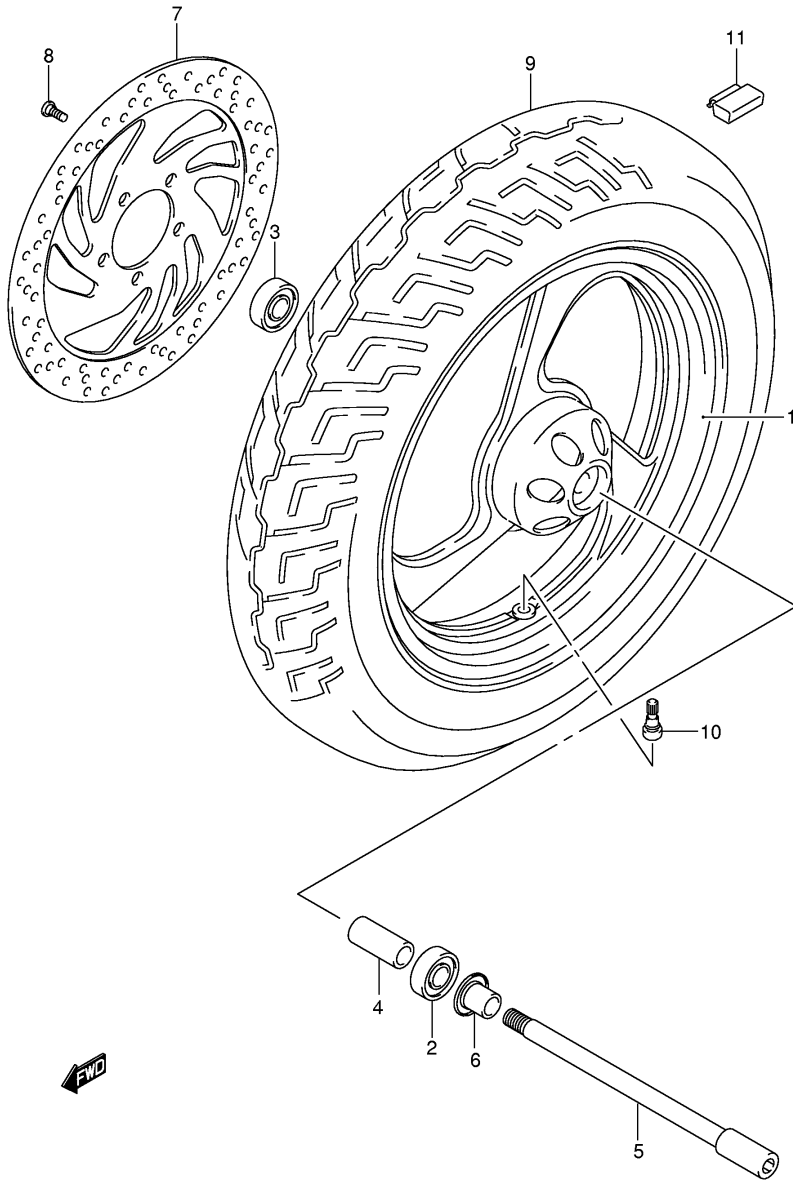
Ref No	Part No	Description
1	51103-39G00	Damper Assy, Front Fork Rh
2	51104-39G00	Damper Assy, Front Fork Lh
3	51110-39G00	. Tube, Inner Rh
4	51120-39G00	. Tube, Inner Lh
5	51158-05A00	. Washer
6	51153-10G50	. Seal, Oil
7	51156-49440	. Ring
8	51173-14F00	. Seal, Dust
9	51147-40300	. Bolt
10	51148-40300	. Gasket
11	51146-39G00	. Cylinder
12	51130-39G00	. Tube, Outer
13	51171-39G00	. Spring, Front
14	51176-40F30	. Spacer, Spring
15	51352-13A60	. Nut, Rod
16	51351-39G00	. Cap
17	62278-14100	. O Ring
18	51166-10G00	. Bolt, Lh

FIG.52



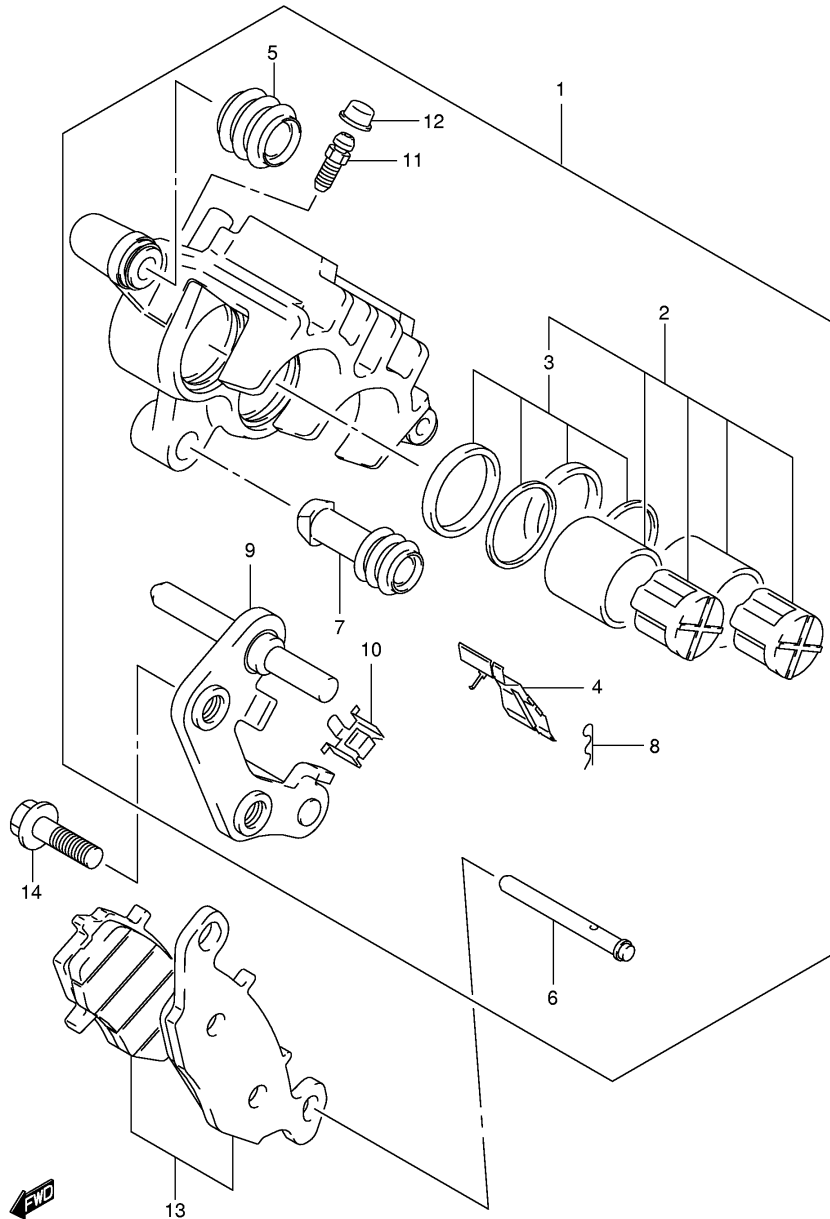
Ref No	Part No	Description
1	51410-39G00	Bracket, Under
2	51644-12C00	• Seal, Steering Lower
3	09267-30010	• Bearing (30x55x17)
4	51451-39G00	Bolt, Stem
5	09267-25009	Bearing (25x47x15)
6	51631-28000	Nut, Stem
7	51643-40502	Seal, Dust Upper
8	51356-10D03	Washer, Stem
9	51353-24B00	Nut, Stem
10	51311-39G00	Bracket, Upper
11	51381-48E10	Bolt
12	09250-06009	Cap, Bolt
13	51451-32E40	Bolt, Holder
14	51355-16G00	Washer
15	56211-39G00	Holder, Handle Upper
16	56224-39G00	Holder, Handle Lower, R
17	56225-39G00	Holder, Handle Lower, L
18	56226-39G00	Bridge
19	07130-08203	Bolt
20	08319-31107	Nut
21	56245-39G00	Rubber Handle, Upper
22	56245-16G00	Rubber, Handle, Lower
23	08322-01107	Washer

FIG.53



Ref No	Part No	Description
1	54111-39G00-019	Wheel, Front (16m/cxmt3.00)
2	08133-62037	Bearing, Front Hub Lh
3	08143-62037	Bearing, Front Hub Rh
4	09180-17092	Spacer, Bearing
5	54711-41F00	Axle, Front
6	54740-32C00	Spacer, Axle Lh
7	59211-39G00	Disc, Front Brake
8	09106-08160	Bolt
9	55110-41F10	Tire, Front, 130/90-16m/c 67h (irc)
10	43130-24A00	Valve Assy, Wheel Rim
11	55411-39G00	Balancer, Wheel No.1
11	55412-39G00	Balancer, Wheel No.2
11	55413-39G00	Balancer, Wheel No.3

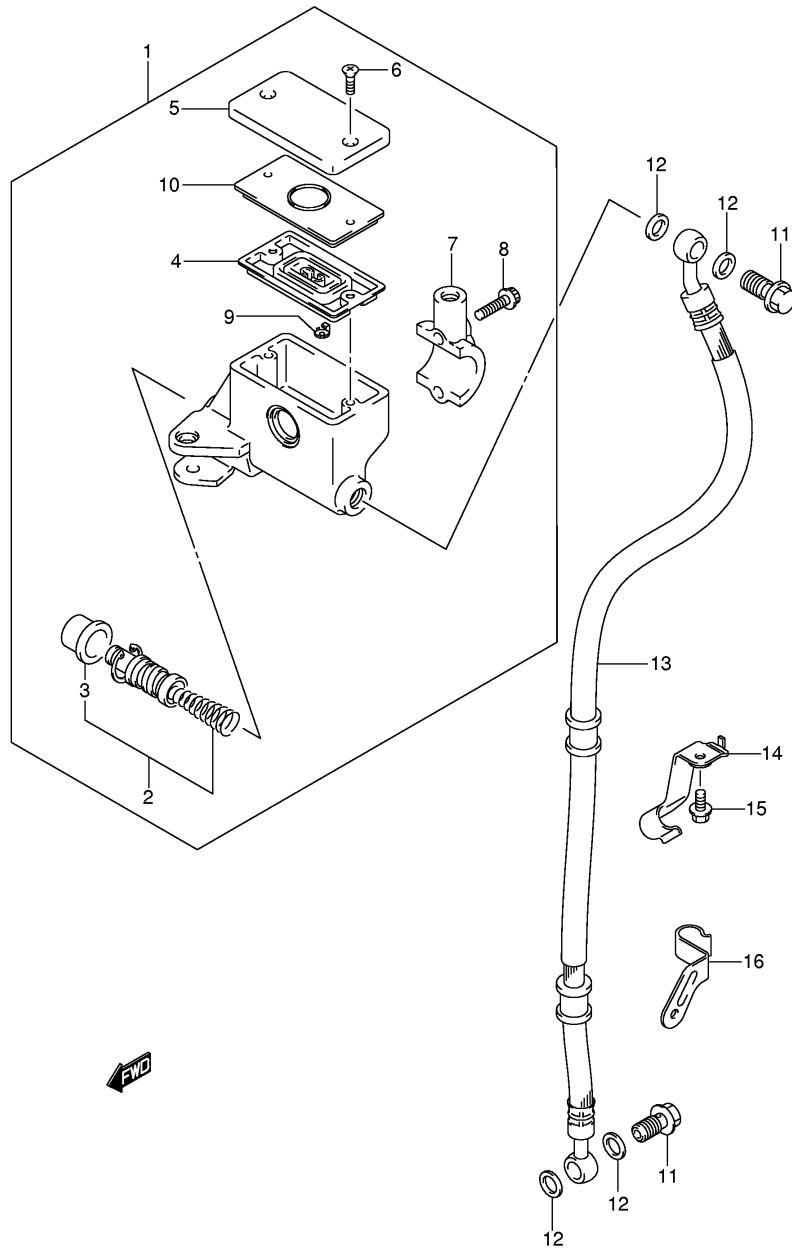
FIG.54



Ref No	Part No	Description
1	59100-33DB0-999	Caliper Assy, Front Rh
2	59301-20810	• Piston Set
3	59300-33841	• Seal Set, Piston
4	59115-33D00	• Spring
5	59112-44B00	• Boot
6	59141-44B01	• Pin
7	59313-36500	• Insulator, Axle
8	69142-45000	• Clip, Pad Pin
9	59150-33D01	• Carrier
10	59116-33D00	• Guide, Pad
11	59121-18410	• Bleeder
12	55156-66310	• Cap
13	59102-33820	Pad Set
14	09103-10379	Bolt

VZ800K5 E03 E28_054
 FRONT CALIPER

FIG.55

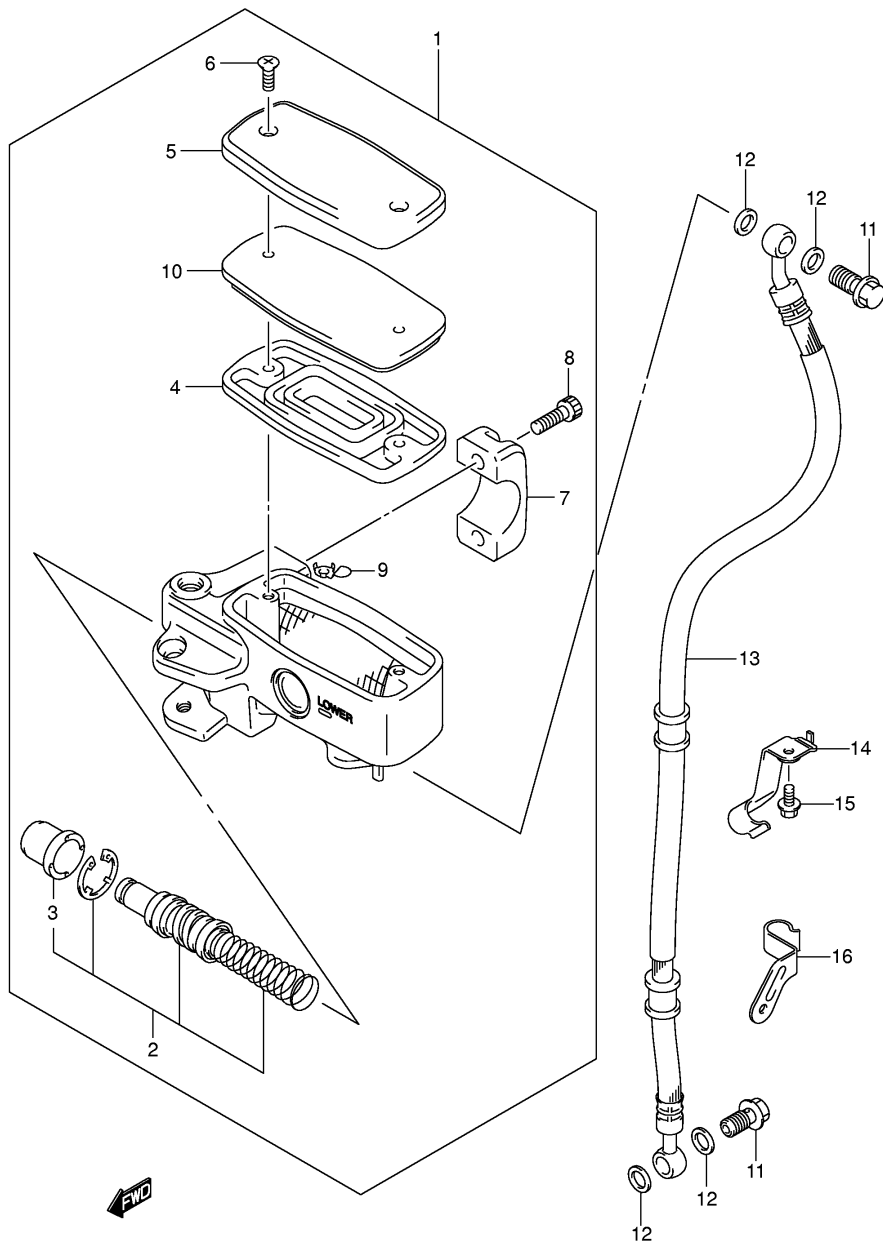


Ref No	Part No	Description
1	59600-10F50	Cylinder Assy, Front Master
2	59600-04810	• Piston/cup Set
3	59666-44300	•• Spring
4	59667-49460	• Diaphragm
5	59669-10F00	• Cap
6	02122-04127	• Screw
7	59671-38AA0	• Holder
8	07130-06207	• Bolt
9	59664-48B00	• Protector
10	59668-41C00	• Plate
11	09360-10042	Bolt, Lower (10x1.25x22)
12	09161-10009	Washer (10x15x1.5)
13	59480-39G00	Hose, Front Brake
14	59266-41F00	Clamp, Brake Hose Upper
15	01547-0612B	Bolt
16	59268-39G00	Clamp, Fr Brake Hose

VZ800K5 E03 E28_055
 FRONT MASTER CYLINDER

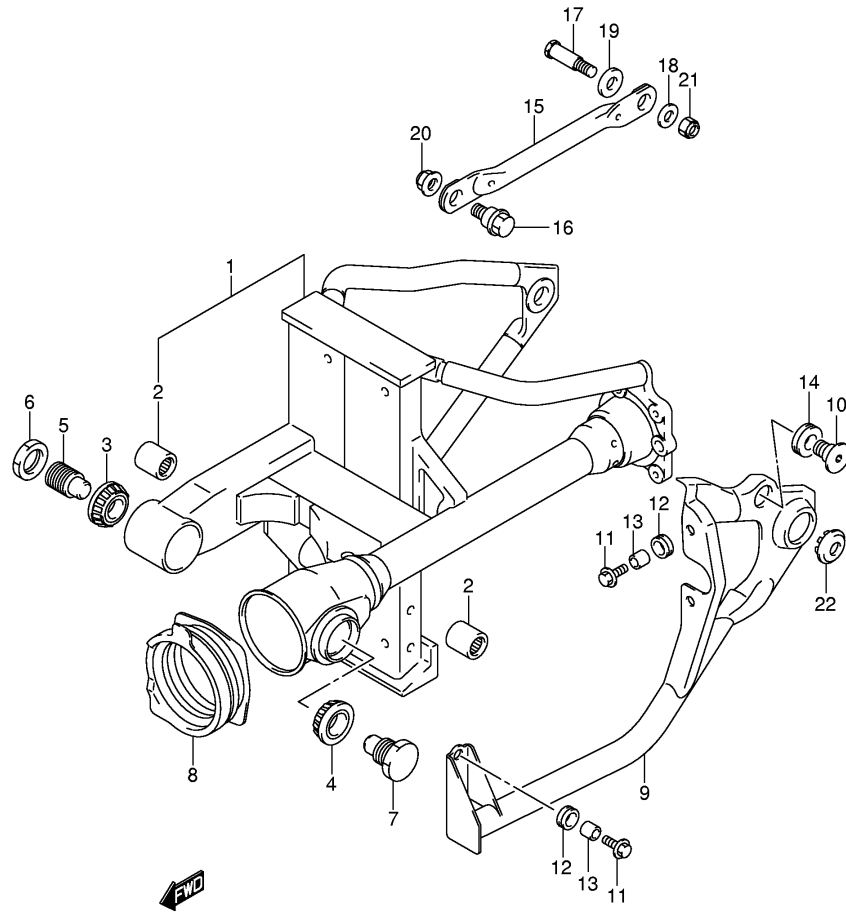
Ref No	Part No	Description
1	59600-10F70	Cylinder Assy, Front Master
2	59600-04810	• Piston/cup Set
3	59666-44300	••• Boot
4	59667-10F00	• Diaphragm
5	59669-10F10	• Cap
6	02122-04127	• Screw
7	59671-10F00	• Holder
8	07130-06207	• Bolt
9	59664-32F00	• Protector
10	57437-10F00	• Plate
11	09360-10062	Bolt, Lower (10x1.25x22)
12	09161-10009	Washer (10x15x1.5)
13	59480-39G10	Hose, Front Brake
14	59266-41F00	Clamp, Brake Hose Upper
15	01547-0612B	Bolt
16	59268-39G00	Clamp, Fr Brake Hose

FIG.55A



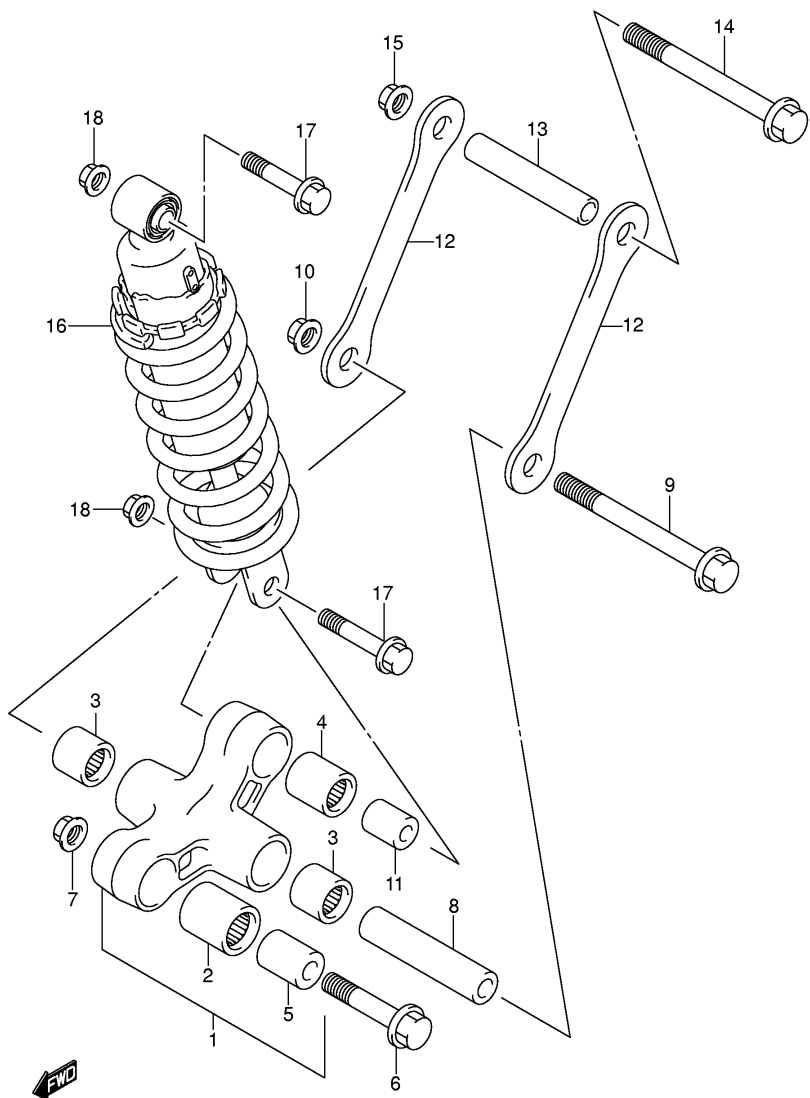
VZ800K5 E03 E28_055A
 FRONT MASTER CYLINDER

FIG.56



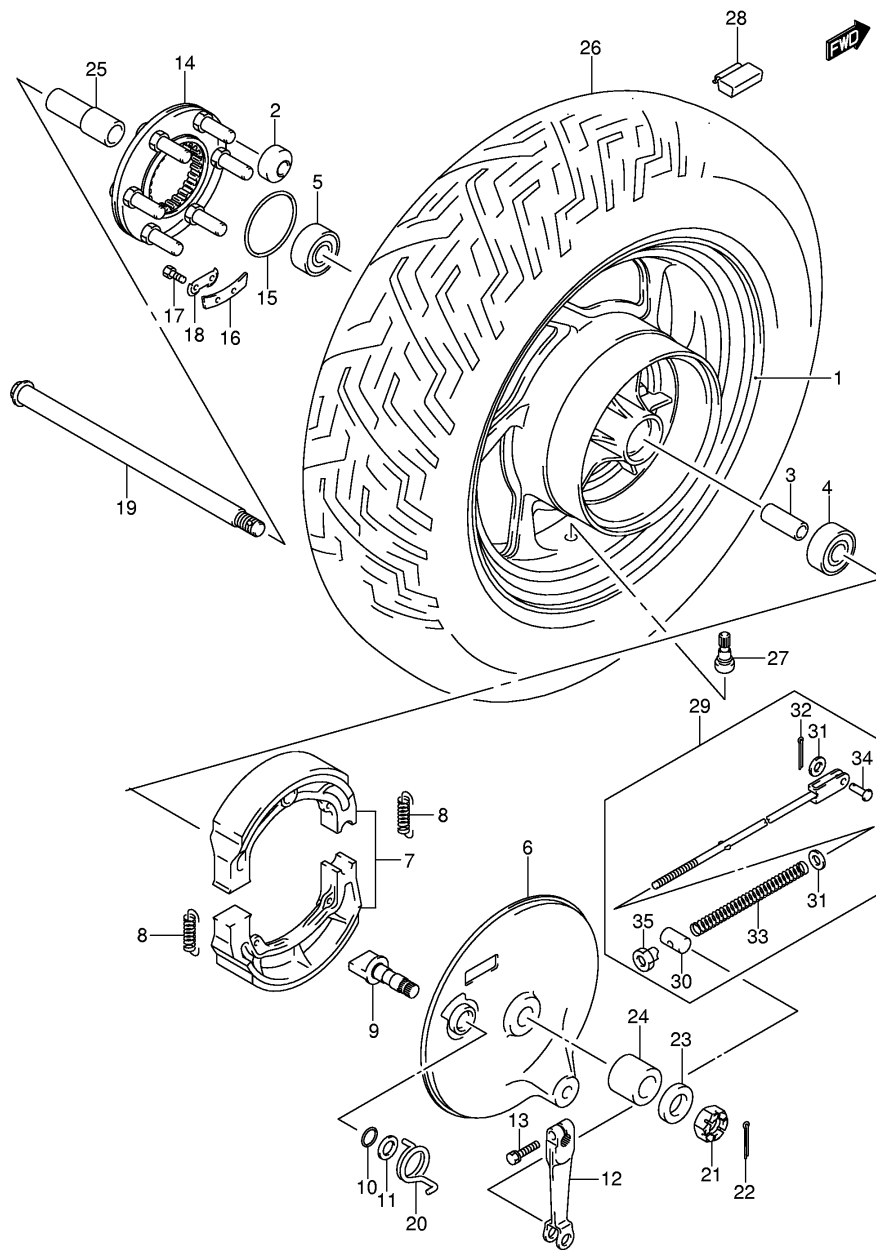
Ref No	Part No	Description
1	61101-41871-019	Swinging Arm Set, Rear (black)
2	09263-17037	• . Bearing, Rod (17x24x25)
3	09265-17013	Bearing, Pivot Rh (17x40x13.25,with Plate)
4	09265-17012	Bearing, Pivot Lh (17x40x13.25)
5	61213-24A00	Bolt, Pivot Rh
6	09140-24007	Nut, Pivot Rh
7	61213-10F00	Bolt, Pivot Lh
8	61372-41F00	Boot, Shaft
9	61120-41F10-019	Cover, Rr Swgarm Lh
10	61127-41F10	Bolt, Rr Swgarm Cover, Rr
11	09116-06152	Bolt, Rr Swgarm Cover
12	09320-10056	Cushion, Cover
13	09180-06286	Spacer, Cover
14	09320-22003	Cushion, Cover Rr
15	64310-41F00	Torque Link, Rear
16	09111-10062	Bolt, Front
17	09111-10057	Bolt, Rear
18	09160-10085	Washer, Rear
19	09320-12501	Cushion, Rear
20	08319-3110B	Nut, Front
21	08319-2110A	Nut, Rear
22	41899-42F10	Cap

FIG.57



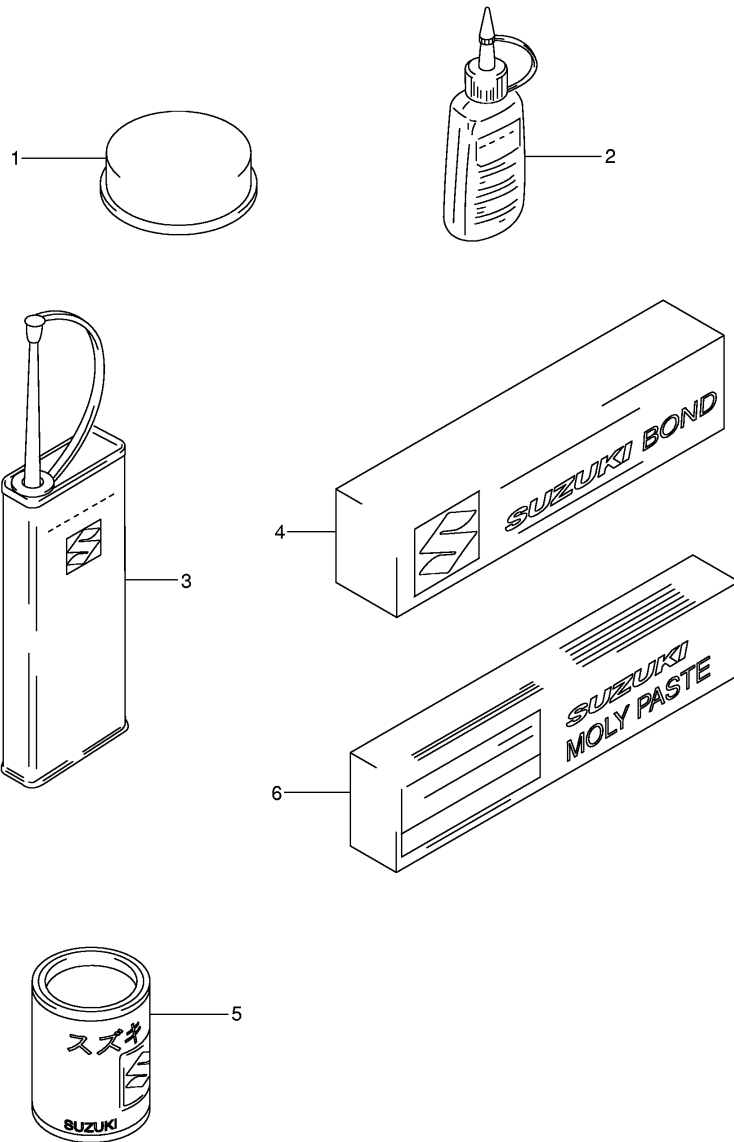
Ref No	Part No	Description
1	62600-33880	Lever Set, Rear Cushion
2	09263-20073	. Bearing, Front (20x27x30)
3	09263-17039	. Bearing, Center (17x24x20)
4	09263-17034	. Bearing, Rear (17x24x26)
5	62684-12C00	Spacer, Front (12x20x32)
6	62668-42A02	Bolt, Front (12x62)
7	08319-3112A	Nut
8	62626-33D00	Spacer, Center (12x17x94)
9	62621-33D00	Bolt, Center (12x124)
10	08319-3112A	Nut
11	62684-40A10	Spacer, Rear (10x17x30)
12	62641-41F00	Rod, Rear Cushion Lever
13	62626-33D00	Spacer, Rod (12x17x94)
14	62621-33D00	Bolt, Rod (12x124)
15	08319-3112A	Nut
16	62100-39G00	Absorber Assy, Rear Shock
16	62100-39G10	Absorber Assy, Rear Shock
17	09103-10213	Bolt
18	08319-3110B	Nut

FIG.58



Ref No	Part No	Description
1	64150-39G00-019	Wheel, Rear (15m/cxmt4.00)
2	09319-12019	. Bushing (12x41x34)
3	09180-17112	Spacer, Rr Hub (17.3x25x99)
4	08123-63037	Bearing, Rh
5	08143-63037	Bearing, Lh
6	64210-38A50	Panel, Rear Brake Anchor
7	64400-38820	Shoe Set, Brake
8	55420-30000	Spring, Shoe
9	64441-38A20	Cam, Brake
10	09280-15003	O Ring (id:14.8,d:2.40)
11	09160-15048	Washer
12	64451-38A01	Lever, Brake Cam
13	01570-06257	Bolt
14	64680-45113	Joint, Hub Driven
15	09280-65003	O Ring (id:65,d:2.10)
16	64677-45110	Washer, Thrust
17	09119-06049	Bolt (6x16)
18	09169-06030	Washer
19	64711-19F10	Axle, Rear (l:302)
20	09448-33006	Spring, Cam
21	09141-16007	Nut
22	04111-4030A	Pin, Rear Axle
23	09160-17050	Washer
24	64741-41F00	Spacer, Rh
25	64772-34201	Spacer, Lh
26	65110-41F10	Tire, Rr, 170/80-15m/c 77h Irc
27	43130-24A00	Valve Assy, Wheel Rim
28	43222-73H10	Balancer, Wheel No.1
28	43224-73H10	Balancer, Wheel No.2
28	43226-73H10	Balancer, Wheel No.3
29	43300-41F00	Rod Assy, Rear Brake
30	09209-13018	. Pin, Rear Brake Rod
31	08322-0106B	. Washer
32	04111-2015A	. Pin, Cotter
33	09440-09004	. Spring
34	09200-06013	. Pin
35	09150-06014	. Nut

FIG.59



Ref No	Part No	Description
1	99000-25110	Suzuki Pbc Grease
2	99000-32020	Thread Lock Super (1333b)
2	99000-32030	Thread Lock Super (1303b)
2	99000-32050	Thread Lock Super (1342)
2	99000-32100	Thread Lock Super (1305)
2	99000-32130	Thread Lock Super (1360)
3	99000-32040	Thread Lock Cement
4	99000-31140	Suzuki Bond (1207b)black
4	99000-31110	Suzuki Bond (1215)
5	99000-25030	Suzuki Super Grease
6	99000-25140	Suzuki Moly Paste