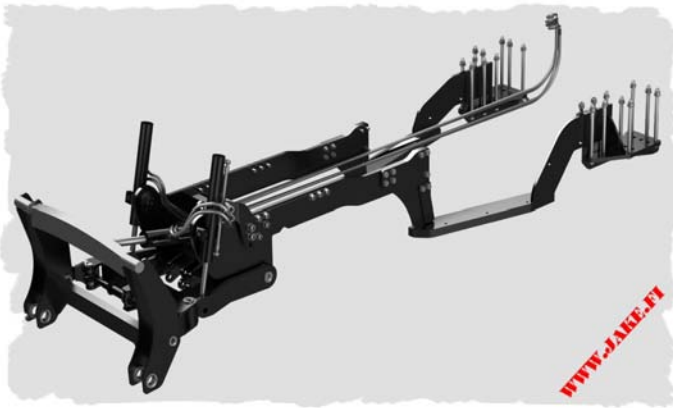




JAKE Front Linkage



The main features of the **JAKE Front Linkage**

- ✓ *long aid frame* to a rear axle reinforces a tractor's own frame and protects it from damage during a hard work
- ✓ *"ladder-build" arm unit* provides a robust construction against lateral forces caused by ploughs, blades, etc.
- ✓ *adjustable arm width* allows connecting of various types of 3-point devices to the front linkage
- ✓ *double upper links* ensure reliability and durability of the front linkage and attachments, although one upper link is also usable
- ✓ *construction for heavy pushing* gives a remarkable opportunity for heavy snow and earthmoving works
- ✓ *short arm unit* brings ploughs, blades, etc. close to a front of the tractor, increasing runnability of the combination considerably
- ✓ *small diameter cylinders* keep all joints of the front linkage safe
- ✓ **JAKE Quick Coupler** with a hydraulic implement locking makes connecting of the attachment easy and fast without need to leave a cabin of the tractor.



The **JAKE** Front Linkage provides a durable and reliable connection between the attachment and the tractor. The construction of the **JAKE** Front Linkage is built so robustly that the probability to break it down is very little.



The **JAKE** Front Linkage is a perfect solution especially for a heavy pushing work. We offer several types of the **JAKE** Front Linkage with various outfits and optional equipment depending on the customers' requirements and the model of the tractor.

