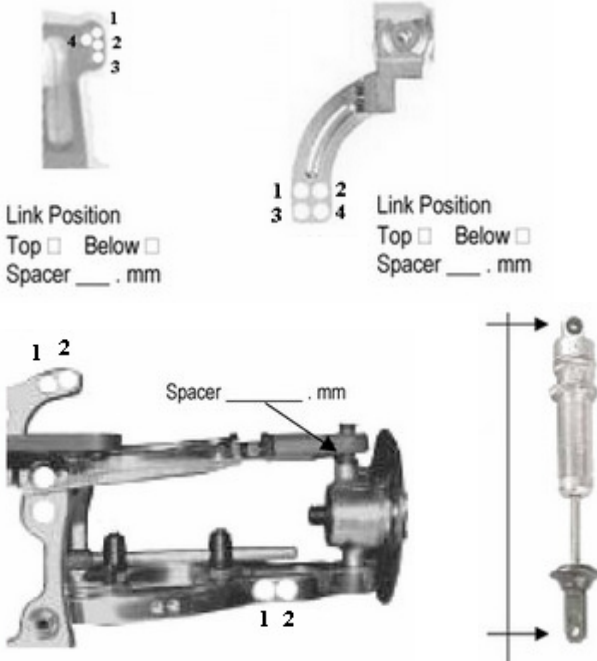


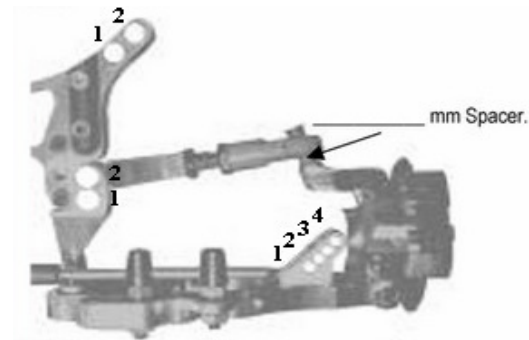


<b>Name</b>	<b>Track</b>	<b>Air temp.</b> °c
<b>Date</b>	<b>Best lap</b>	<b>Track temp.</b> °c



**Stabilizer Front**

<b>Hard</b>	<b>Medium</b>	<b>Soft</b>	<b>None</b>
-------------	---------------	-------------	-------------



**Stabilizer Rear**

<b>Hard</b>	<b>Medium</b>	<b>Soft</b>	<b>None</b>
-------------	---------------	-------------	-------------

<b>Front</b>	
<b>Tyres</b>	
<b>Camber</b>	.°c
<b>Caster upper</b>	.adjusting clips front
<b>Caster lower</b>	.adjusting clips front
<b>Ride height</b>	.mm
<b>Droop</b>	.mm
<b>Toe angle</b>	.°c

<b>Dampers</b>	<b>Front</b>	<b>Rear</b>
<b>Length eye to eye</b>	.mm	.mm
<b>Springs</b>		
<b>Oil</b>	.wt	.wt
<b>Piston</b>		

<b>Rear</b>	
<b>Tyres</b>	
<b>Camber</b>	.°c
<b>Caster upper</b>	.adjusting clips front
<b>Ride height</b>	.mm
<b>Droop</b>	.mm
<b>Toe angle</b>	.°c

<b>Motor</b>	<b>Gear ratio</b>	
<b>Tuner</b>	<b>A Pinion</b>	<b>Spur</b>
<b>Pipe</b>	<b>B Pinion</b>	<b>Ring gear</b>
<b>Clutch</b>	<b>Final</b>	

**Comments**