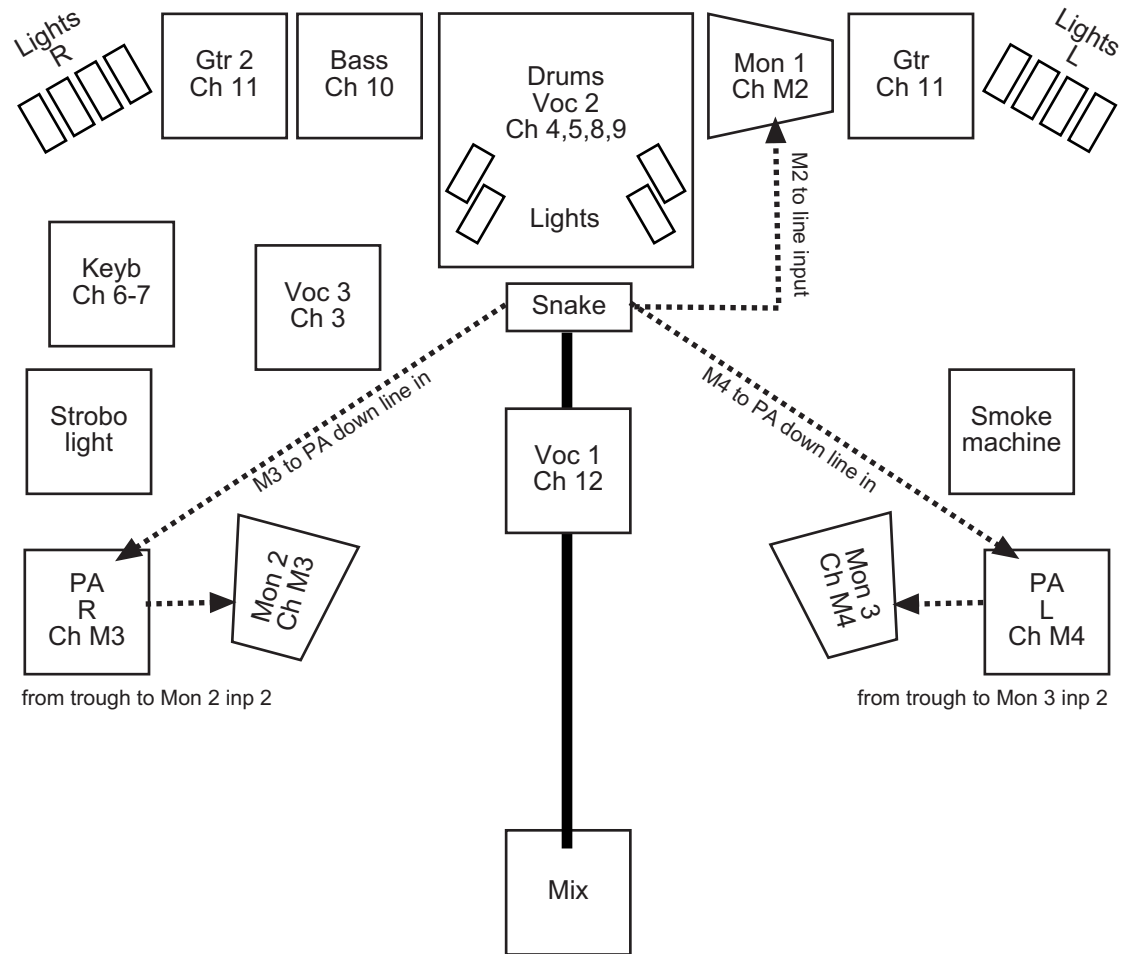


Backsliders Stage Plan



- | | |
|-----|---------------------|
| 1. | |
| 2. | Voc 2 |
| 3. | Voc 3 |
| 4. | Snare drum |
| 5. | Bass drum |
| 6. | Keyboards 1 |
| 7. | Keyboards 2 |
| 8. | Overhead mic toms |
| 9. | Overhead mic plates |
| 10. | Bass guitar |
| 11. | 1. Guitar |
| 12. | Voc 1 |
| 13. | 2. Guitar |
| 14. | |
| 15. | |
| 16. | Intermission music |
| M1 | |
| M2 | Monitor 1 |
| M3 | PA Monitor right |
| M4 | PA Monitor left |