



BUILT FOR WORLD'S BEST HORSES

Product sheet: MaGMA horsebox solarium

The solarium is an indispensable part in the good care of each horse. With the Q-line solarium you can treat your horse with heat before and after an exercise.

The Q-line solarium utilize infrared heat.

The infrared radiation penetrates the skin and has therapeutic properties.

The infrared rays will increase the blood flow in the muscles and hereby have a positive effect on the waste matter household which decreases the horses chance to get injured. The generated heat increases the rate in which the muscles can absorb blood sugars and expel lactic acids.

A warming-up under a Q-line solarium before a training or competition relaxes the muscles and reduces the chance your horse will get injured. The solarium is also ideal for drying your horse after washing.

The heat increases the muscle elasticity and has a softening effect when your horse is recovering from an injury.

The Q-line solarium are also available with the latest technological advances in light therapy. By exposing the horse to certain light frequencies a therapeutic effect is created and your horse is brought back into balance.

Unique benefits

Safety:

The Q-line solarium have been finished with round sides and corners which excludes the chance your horse will get injured. The lamps are placed higher than the holders so that the horse can never come in to direct contact with the lamps.

Durability:

The Q-line solarium use up to 40% less energy than competitive products and are remarkably environmentally friendly. The heat resistant plastic is insensitive to corrosion and ensure minimal heat loss and a high efficiency.

The infrared lights in the Q-line® solarium are designed to be especially heat resistant and can endure great temperatures for extensive periods of time. These lamps can burn for a minimum of 5000 hours.

External characteristics:

The Q-line® solarium have a stylish appearance and smooth finishing. All solarium can be used directly and require no further assembly.

Maintenance:

The Q-line® solarium require little to no maintenance. With our technologically advanced design and the choice of materials we have ensured that corrosion is kept to a minimum.

Quality mark:

All Q-Line® solarium conform to the machine code 2006/42/EG and are fit with the CE norm. The Q-line® solarium are KEMA certified according to the NEN 3140 and Labor and health directive en hereby conform to all European safety demands.





BUILT FOR WORLD'S BEST HORSES

Product sheet: MaGMA horsebox solarium

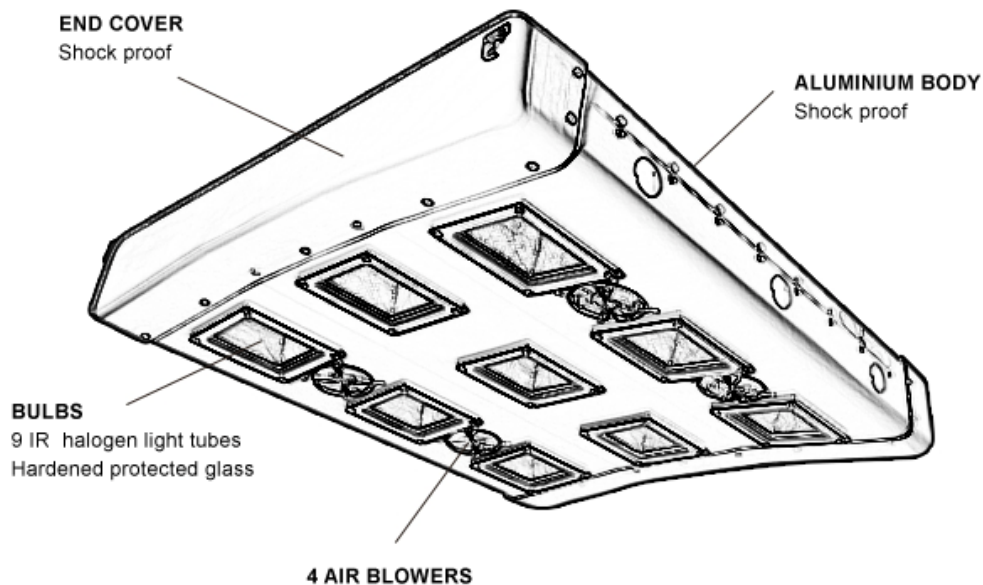
These days a solarium is a very common item to see in stables as they are used for getting your horses into top condition. Now you can do this during competitions with the Q-Line Horse Box solarium.

The heavy duty built solarium is compact and slim. Using very sophisticated infrared lights the solarium is very shallow and the infrared lamps are built in special casings which are protected with strong safety glass. The MaGMA Solarium has 4 built-in circulating fans for cooling the lamps and dispersing the heat more evenly over the horses back for quicker drying and deeper treatment.

Solariums can help improve your horses' performance and condition. The heat energy penetrates the skin into the underlying muscle and helps stimulate blood circulation, this improves muscle elasticity, therefore helping recovery from injury and reducing the likelihood of injury. A pre-exercise warm up under the solarium will relax muscles and improve training performance by increasing blood circulation.

Solariums help your horse to recover quicker after exercise as the infrared heat stimulates the circulation allowing the muscles to absorb blood sugars more quickly and speeds up the elimination of waste products from them. Solariums speed up the drying and warming process before and after exercise or washing down and will add shine to the coat.

- Stylish design
- Lightweight
- High heat output
- Round edges
- IP rated
- CE mark





BUILT FOR WORLD'S BEST HORSES

Product sheet: MaGMA horsebox solarium

Technical specifications

Lamps

175 Watt Halogen	9
Total IR power in Watts	1575

Air fans:

Amount:	4
m3/h:	90
Automatic at 30 °C:	1

Energy consumption

Power supply:	1Phase + N + PE 230V 50Hz
Fuse with .. Amperes:	10 A
Power consumption in Watts:	1775

Material and dimensions

Body:	Aluminum powder coated
Covers:	Heat resistant plastic
Color:	Crème white RAL 6009
Light casing:	Aluminum/porcelain
Glass:	Heat resistant safety glass
Suspension:	Steel
Dimensions L x W x H in meters:	1,28*0,98*0,17
Weight:	25 Kg

Inclusive

Wall mounting:	1
Power cord:	1
Build in LED lighting:	0
Control box:	0

Guidelines

Approval:	CE
IP rating:	IP54





BUILT FOR WORLD'S BEST HORSES

Product sheet: MaGMA horsebox solarium

